



### Construction

Medium-density polyethylene tank, resistant to corrosion, with minimum overall dimensions.

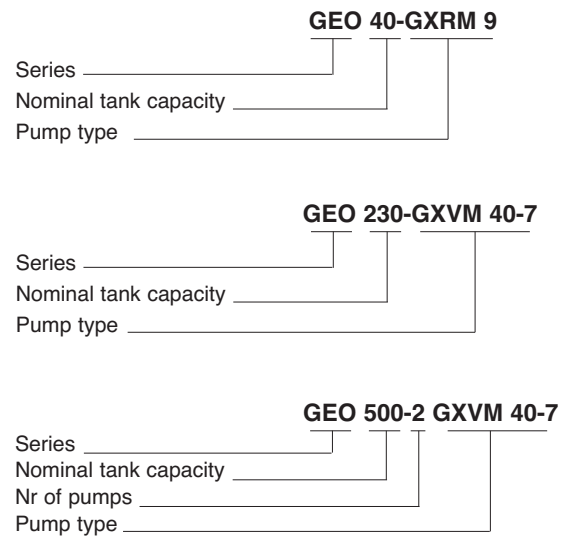
- **GEO 40** single tank with 40 liters nominal capacity for the installation of a GXR type.
- **GEO 230** single tank with 230 liters nominal capacity for the installation of an electropump type GM 10, GQ, GX or GM series.
- **GEO 500** double tank with 500 liters nominal capacity for the installation of two electropumps type GM 10, GQ, GX or GM series.

Pipe kit for electropump connection.  
Two possible installation, at ground level or underground.  
For underground installation, extensions can be used (maximum two extensions).  
Easy pump access through a cover fixed with screws.

### Applications

Automatic waste water collecting and lifting stations, to handle domestic, civil and industrial waste water.  
For collecting and lifting clean waste water and rain water.  
For flood drainage.

### Designation



### Installation examples

GEO 40-GXR



GEO 230-GX..



GEO 500-2GM..



### Pumps characteristics

GEO 40-GXRM

GEO 40-GXRM GF



#### Features

Automatic collecting and lifting station for clean water with GXRM pump type .

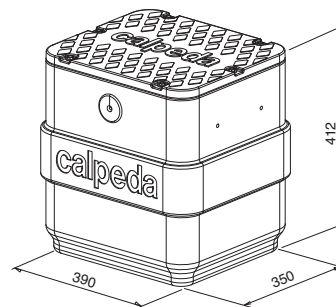
#### It includes:

- 1 tank capacity 40 l
- 1 single-phase pump with 5 m cable and float switch
- 1 non-return valve with clapet on the pump delivery side
- 1 discharge pipe kit arranged for the connection of a Ø 40 mm PVC pipe
- 1 PVC adapting nipple for Ø 40 mm inlet
- 1 connector for Ø 25 mm flexible pipe

#### On demand

- 1 pump with 10 m cable

| Single-phase type | 1 ~ 230 V |     | Q max<br>m <sup>3</sup> /h | H max<br>m |
|-------------------|-----------|-----|----------------------------|------------|
|                   | kW        | A   |                            |            |
| GEO 40-GXRM 9     | 0,25      | 2,5 | 10,2                       | 8,3        |
| GEO 40-GXRM 9 GF  | 0,25      | 2,5 | 10,2                       | 8,3        |
| GEO 40-GXRM 11 GF | 0,37      | 3,5 | 12                         | 10,4       |
| GEO 40-GXRM 13 GF | 0,45      | 4,5 | 13,2                       | 11,7       |



#### GXRM

Submersible drainage pump in chrome-nickel stainless steel, for clean water containing solids up to 10 mm grain size, with vertical delivery port.

Open impeller.

2-pole induction motor, 50Hz (n ≈ 2900 rpm),

Single-phase 230 V +/-10% with float switch and thermal protector.

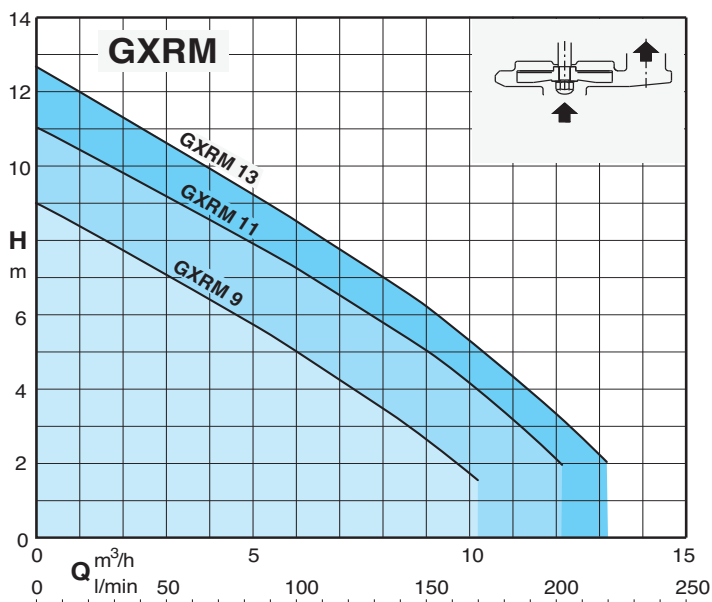
- GXRM: with standard float switch.

- GXRM .. GF: with vertical magnetic float switch.

Incorporated capacitor.

Cable length 5 m, Shuko plug.

Liquid temperature up to 35 °C



### Pumps characteristics

GEO 230-GM 10



#### Features

Automatic clear water collecting and lifting station GM 10 pump series.

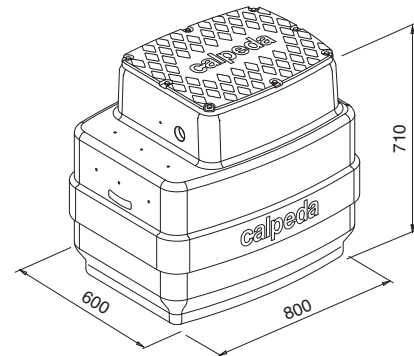
#### It includes:

- 1 tank capacity 230 l
- 1 single-phase pump with 5 m cable and float switch
- 1 control box QM 6,3 type with capacitor
- 1 discharge pipe kit Ø 40 mm in PVC

#### On demand

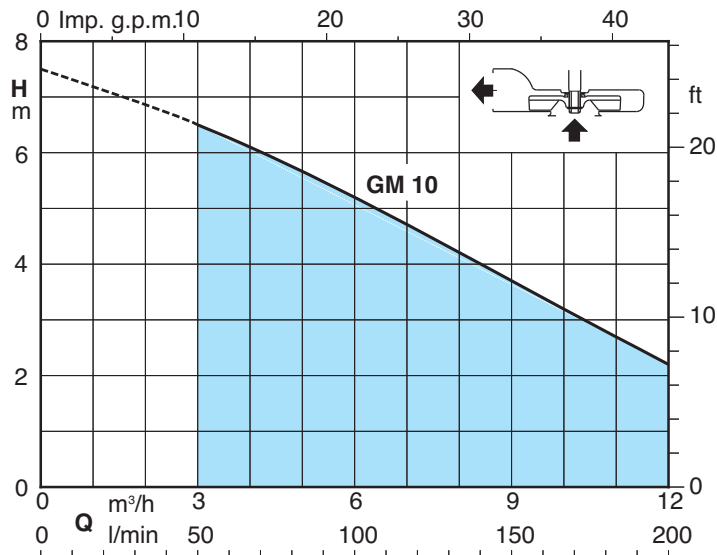
- 1 pump with 10 m cable
- 1 discharge pipe kit Ø 40 mm in PVC with a ball valve and non-return ball valve
- 1 support kit with safety float switch and auto-supplied control panel for remote alarm with horn and flashing light
- extension 300 mm

| Single-phase type    | 1 ~ 230 V |      | Q max<br>m³/h | H max<br>m |
|----------------------|-----------|------|---------------|------------|
|                      | kW        | A    |               |            |
| <b>GEO 230-GM 10</b> | 0,3       | 1,75 | 12            | 6,5        |



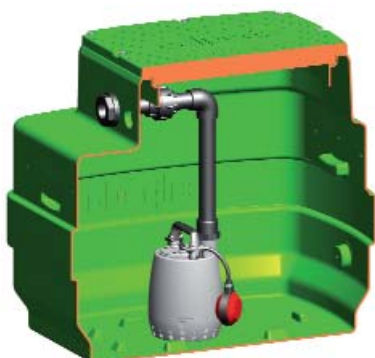
### GM 10

Submersible drainage pump constructed from composite polymers.  
 Shaft of chrome steel AISI 430.  
 2-pole induction motor, 50Hz (n ≈ 2900 rpm).  
 Single-phase 230 V +/-10% with thermal protector.  
 Float switch for automatic operation.  
 5 m cable and control box QM 6,3 with capacitor.  
 Liquid temperature up to 35 °C



### Pumps characteristics

GEO 230-GX..



#### Features

Automatic collecting and lifting station - for clean water **GXR** pump series.  
- for waste water **GXV** pump series.

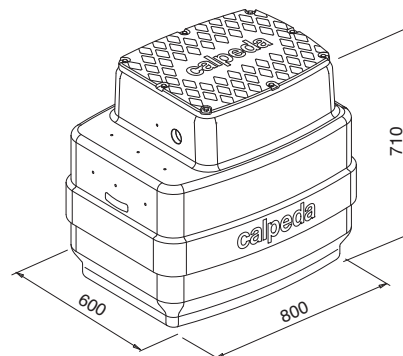
#### It includes:

- 1 tank capacity 230 l
- 1 single-phase pump with 5 m cable and float switch
- 1 discharge pipe kit Ø 40 mm in PVC

#### On demand

- 1 pump with 10 m cable
- 1 discharge pipe kit Ø 40 mm in PVC with a ball valve and non-return ball valve
- 1 support kit with safety float switch and auto-supplied control panel for remote alarm with horn and flashing light
- extension 300 mm

| Single-phase type  | 1 ~ 230 V |     | Q max<br>m <sup>3</sup> /h | H max<br>m |
|--------------------|-----------|-----|----------------------------|------------|
|                    | kW        | A   |                            |            |
| GEO 230-GXVM 25-6  | 0,25      | 2,5 | 10,2                       | 5,7        |
| GEO 230-GXVM 25-8  | 0,37      | 3,5 | 12                         | 7,8        |
| GEO 230-GXVM 25-10 | 0,45      | 4,5 | 13,2                       | 9,5        |
| GEO 230-GXRM 9     | 0,25      | 2,5 | 10,2                       | 8,3        |
| GEO 230-GXRM 11    | 0,37      | 3,5 | 12                         | 10,4       |
| GEO 230-GXRM 13    | 0,45      | 4,5 | 13,2                       | 11,7       |



GXVM

GXRM

#### GXRM, GXVM

Submersible drainage pump in chrome-nickel stainless steel, with vertical delivery port.

**GXRM**: with open impeller.

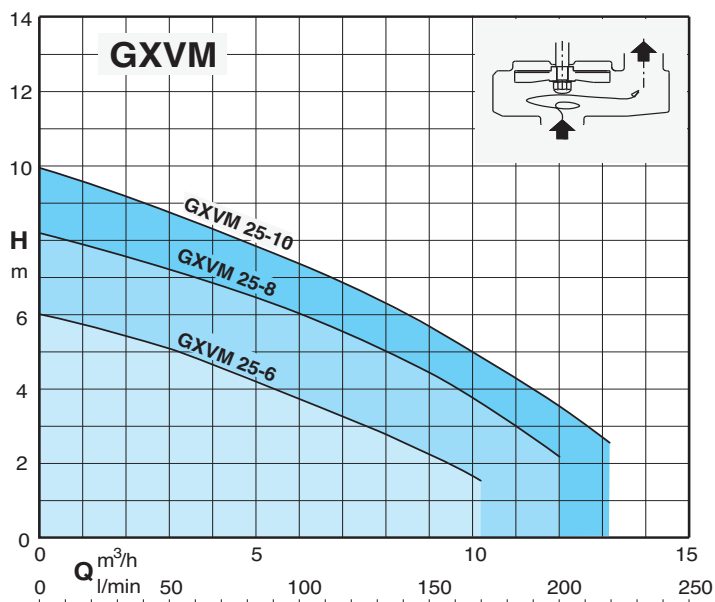
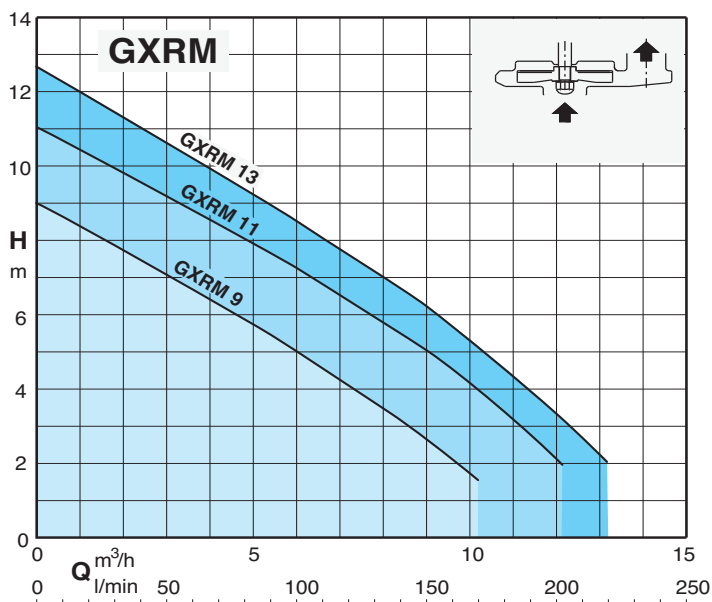
**GXVM**: with free-flow (vortex) impeller.

2-pole induction motor, 50Hz (n ≈ 2900 rpm),

Single-phase 230 V +/-10% with float switch and thermal protector. Incorporated capacitor.

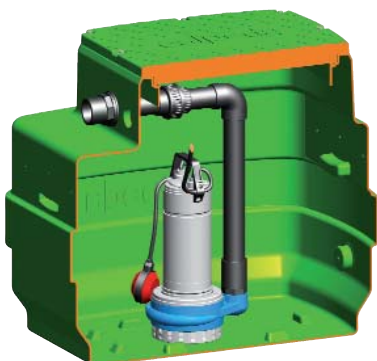
Cable length 5 m.

Liquid temperature up to 35 °C



### Pumps characteristics

GEO 230-GQR..



#### Features

Automatic collecting and lifting station for clean water with **GQR** pump series.

#### It includes:

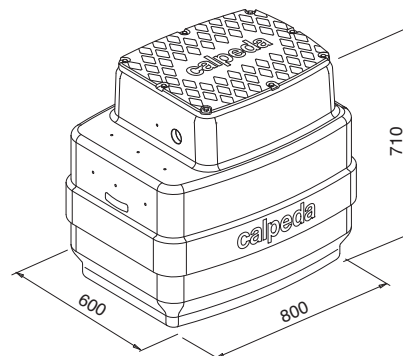
- 1 tank capacity 230 l
- 1 pump - single-phase with 10 m cable and float switch
  - three-phase with 10 m cable with support and float switch kit
- 1 control box for three-phase version
- 1 discharge pipe kit Ø 50 mm in PVC

#### On demand

- 1 discharge pipe kit Ø 50 mm in PVC with a ball valve and non-return ball valve
- 1 support kit with safety float switch and auto-supplied control panel for remote alarm with horn and flashing light
  - extension 300 mm

| Single-phase type  | 1 ~ 230 V |     | Q max<br>m <sup>3</sup> /h | H max<br>m |
|--------------------|-----------|-----|----------------------------|------------|
|                    | kW        | A   |                            |            |
| GEO 230-GQRM 10-10 | 0,45      | 3,1 | 18                         | 9,5        |
| GEO 230-GQRM 10-12 | 0,55      | 3,6 | 21                         | 11,6       |
| GEO 230-GQRM 10-14 | 0,75      | 4,6 | 24                         | 13,5       |
| GEO 230-GQRM 10-16 | 0,9       | 6   | 27                         | 15,5       |
| GEO 230-GQRM 10-18 | 1,1       | 8   | 30                         | 17,5       |
| GEO 230-GQRM 10-20 | 1,5       | 13  | 30                         | 19,5       |

| Three-phase type  | 3 ~ 400 V |     | Q max<br>m <sup>3</sup> /h | H max<br>m |
|-------------------|-----------|-----|----------------------------|------------|
|                   | kW        | A   |                            |            |
| GEO 230-GQR 10-10 | 0,45      | 1,2 | 18                         | 9,5        |
| GEO 230-GQR 10-12 | 0,55      | 1,4 | 21                         | 11,6       |
| GEO 230-GQR 10-14 | 0,75      | 1,6 | 24                         | 13,5       |
| GEO 230-GQR 10-16 | 0,9       | 2,3 | 27                         | 15,5       |
| GEO 230-GQR 10-18 | 1,1       | 2,8 | 30                         | 17,5       |
| GEO 230-GQR 10-20 | 1,5       | 3,8 | 30                         | 19,5       |



#### GQR

Single-impeller submersible drainage pump, with vertical delivery port.

**GQR:** with open impeller.

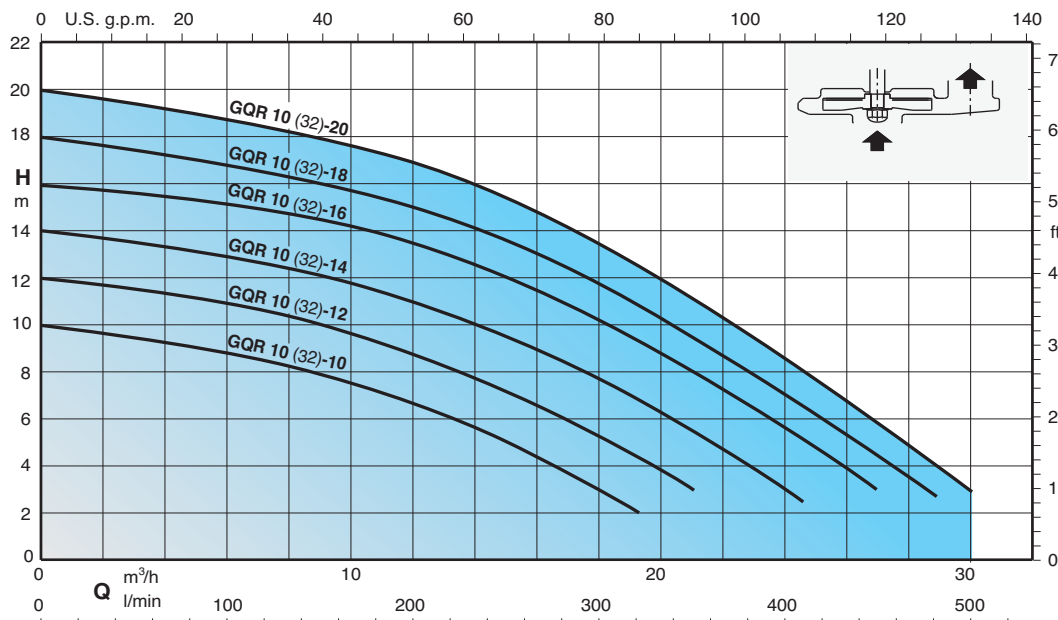
2-pole induction motor, 50Hz (n ≈ 2900 rpm),

**GQR:** three-phase 400 V +/-10%;

**GQRM:** Single-phase 230 V +/-10% with float switch and thermal protector. Incorporated capacitor.

Cable length 10 m.

Liquid temperature up to 35 °C



### Pumps characteristics

GEO 230-GQR..



#### Features

Automatic collecting and lifting station for clean water with **GQR** pump series.

#### It includes:

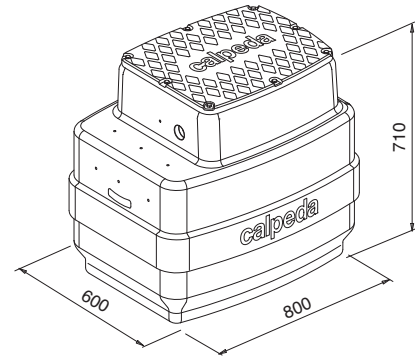
- 1 tank capacity 230 l
- 1 pump - single-phase 10 m cable and float switch
  - three-phase with 10 cable with support kit and float switch
- 1 control box for three-phase version
- 1 duck foot coupling kit
- 1 discharge pipe kit Ø 63 mm in PVC with a ball valve and non-return ball valve

#### On demand

- 1 safety float switch (with support for single-phase version) and auto-supplied control panel for remote alarm with horn and flashing light - extension 300 mm

| Single-phase type     | 1 ~ 230 V |     | Q max<br>m³/h | H max<br>m |
|-----------------------|-----------|-----|---------------|------------|
|                       | kW        | A   |               |            |
| GEO 230-GQRM 10 32-10 | 0,45      | 3,1 | 18            | 9,5        |
| GEO 230-GQRM 10 32-12 | 0,55      | 3,6 | 21            | 11,6       |
| GEO 230-GQRM 10 32-14 | 0,75      | 4,6 | 24            | 13,5       |
| GEO 230-GQRM 10 32-16 | 0,9       | 6   | 27            | 15,5       |
| GEO 230-GQRM 10 32-18 | 1,1       | 8   | 30            | 17,5       |
| GEO 230-GQRM 10 32-20 | 1,5       | 13  | 30            | 19,5       |

| Three-phase type     | 3 ~ 400 V |     | Q max<br>m³/h | H max<br>m |
|----------------------|-----------|-----|---------------|------------|
|                      | kW        | A   |               |            |
| GEO 230-GQR 10 32-10 | 0,45      | 1,2 | 18            | 9,5        |
| GEO 230-GQR 10 32-12 | 0,55      | 1,4 | 21            | 11,6       |
| GEO 230-GQR 10 32-14 | 0,75      | 1,6 | 24            | 13,5       |
| GEO 230-GQR 10 32-16 | 0,9       | 2,3 | 27            | 15,5       |
| GEO 230-GQR 10 32-18 | 1,1       | 2,8 | 30            | 17,5       |
| GEO 230-GQR 10 32-20 | 1,5       | 3,8 | 30            | 19,5       |



#### GQR

Single-impeller submersible drainage pump, with horizontal delivery port.

**GQR:** with open impeller.

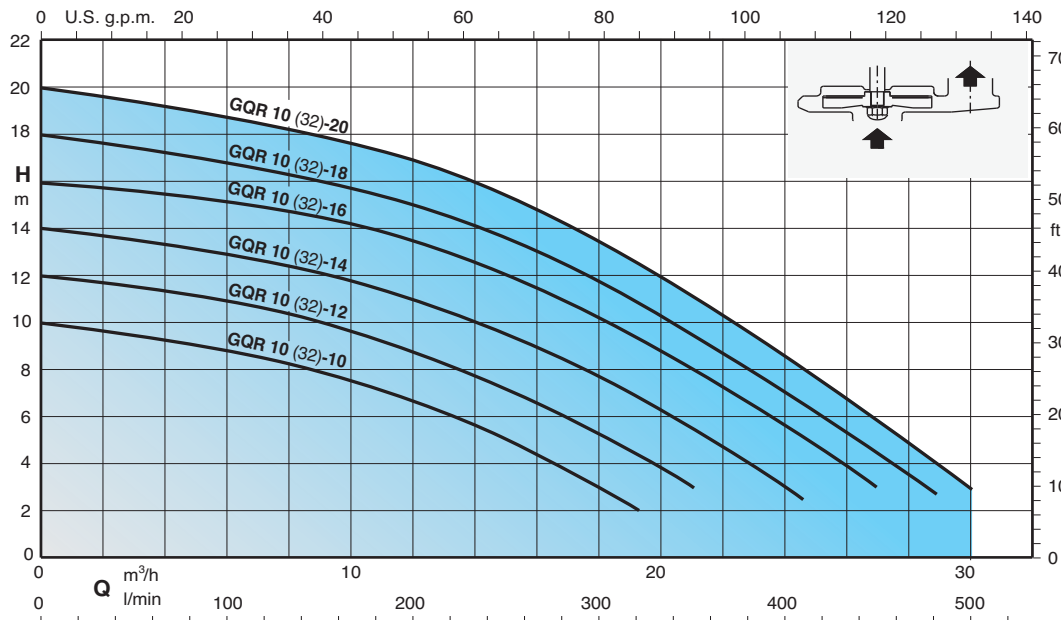
2-pole induction motor, 50Hz (n ≈ 2900 rpm),

**GQR:** three-phase 400 V +/-10%;

**GQRM:** Single-phase 230 V +/-10% with float switch and thermal protector. Incorporated capacitor.

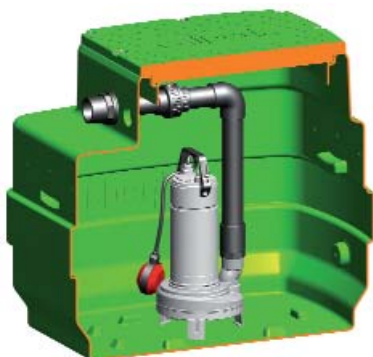
Cable length 10 m.

Liquid temperature up to 35 °C



### Pumps characteristics

GEO 230-GX..



#### Features

Automatic waste water collecting and lifting station GX 40 pump series.

#### It includes:

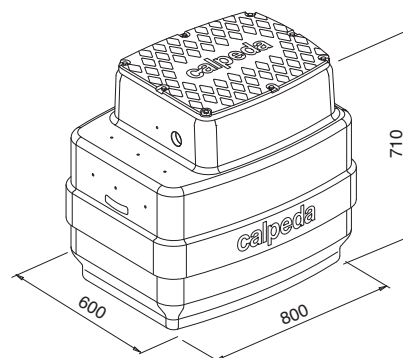
- 1 tank capacity 230 l
- 1 pump - single-phase with 10 m cable and float switch
  - three-phase with 10 m cable with support and float switch kit
- 1 control box for three-phase version
- 1 discharge pipe kit Ø 50 mm in PVC

#### On demand

- 1 discharge pipe kit Ø 50 mm in PVC with a ball valve and non-return ball valve
- 1 safety float switch (with support for single-phase version) and auto-supplied control panel for remote alarm with horn and flashing light
  - extension 300 mm

| Single-phase type  | 1 ~ 230 V |     | Q max<br>m³/h | H max<br>m |
|--------------------|-----------|-----|---------------|------------|
|                    | kW        | A   |               |            |
| GEO 230-GXCM 40-10 | 0,55      | 4,6 | 21            | 9          |
| GEO 230-GXCM 40-13 | 0,9       | 6,6 | 26            | 11,6       |
| GEO 230-GXVM 40-7  | 0,55      | 4,6 | 15            | 6,2        |
| GEO 230-GXVM 40-8  | 0,75      | 5,4 | 18            | 7,2        |
| GEO 230-GXVM 40-9  | 0,9       | 6   | 21            | 8,1        |

| Three-phase type  | 3 ~ 400 V |     | Q max<br>m³/h | H max<br>m |
|-------------------|-----------|-----|---------------|------------|
|                   | kW        | A   |               |            |
| GEO 230-GXC 40-10 | 0,55      | 1,6 | 21            | 9          |
| GEO 230-GXC 40-13 | 0,9       | 2,3 | 26            | 11,6       |
| GEO 230-GXV 40-7  | 0,55      | 1,6 | 15            | 6,2        |
| GEO 230-GXV 40-8  | 0,75      | 2,2 | 18            | 7,2        |
| GEO 230-GXV 40-9  | 0,9       | 2,3 | 21            | 8,1        |



#### GXC, GXV

Submersible sewage and drainage pumps in chrome-nickel stainless steel, with vertical delivery port.

**GXC**, with two-passage impeller.

**GXV**: with free-flow (vortex) impeller

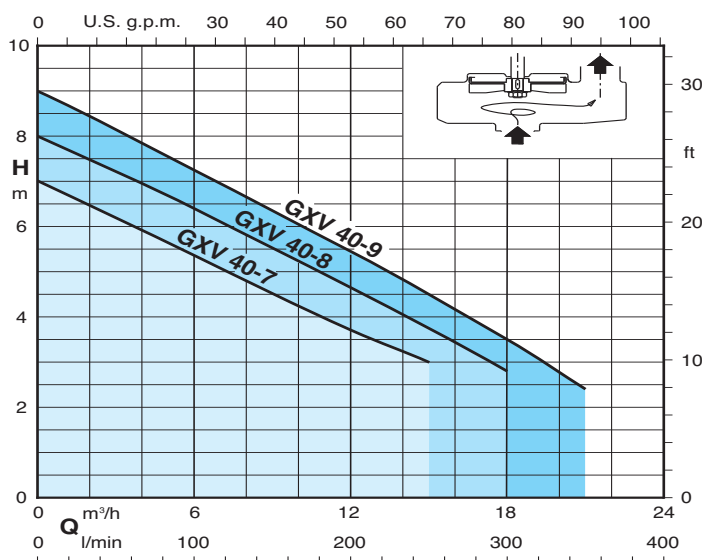
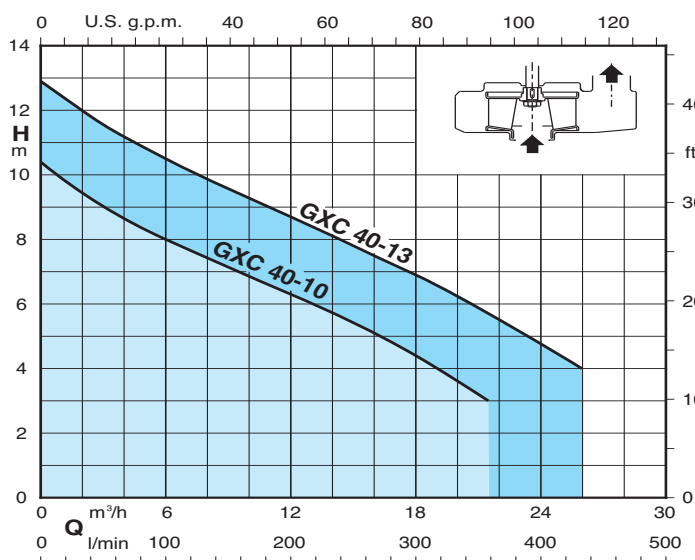
2-pole induction motor, 50Hz (n ≈ 2900 rpm).

**GXC, GXV**: three-phase 400 V; +/-10%

**GXCM, GXVM**: single-phase 230 V +/-10%, with float switch and thermal protector.  
Incorporated capacitor.

Cable length 10 m.

Liquid temperature up to 35 °C



### Pumps characteristics

GEO 230-GQG



#### Features

Automatic sewage water collecting and lifting station with grinder pumps GQG series.

#### It includes:

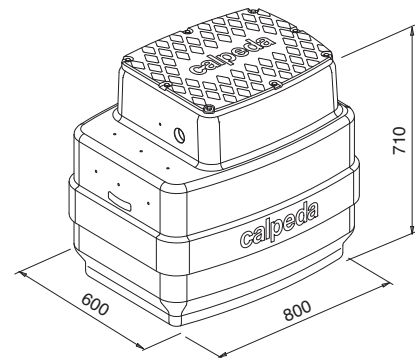
- 1 tank capacity 230 l
- 1 pump - single-phase with 10 m cable without float switch  
- three-phase with 10 m cable
- 1 support kit with float switch
- 1 control box (with capacitor for single-phase motors)
- 1 duck foot coupling kit
- 1 discharge pipe kit Ø 63 mm in PVC with a ball valve and non-return ball valve

#### On demand

- 1 safety float switch and auto-supplied control panel for remote alarm with horn and flashing light
- extension 300 mm

| Single-phase type | 1 ~ 230 V |     | Q max<br>m³/h | H max<br>m |
|-------------------|-----------|-----|---------------|------------|
|                   | kW        | A   |               |            |
| GEO 230-GQGM 6-18 | 0,9       | 7   | 13,2          | 16,5       |
| GEO 230-GQGM 6-21 | 1,1       | 7,5 | 15            | 19,2       |
| GEO 230-GQGM 6-25 | 1,5       | 9,5 | 16,8          | 23         |

| Three-phase type | 3 ~ 400 V |     | Q max<br>m³/h | H max<br>m |
|------------------|-----------|-----|---------------|------------|
|                  | kW        | A   |               |            |
| GEO 230-GQG 6-18 | 0,9       | 2,3 | 13,2          | 16,5       |
| GEO 230-GQG 6-21 | 1,1       | 2,8 | 15            | 19,2       |
| GEO 230-GQG 6-25 | 1,5       | 3,8 | 16,8          | 23         |



#### GQG

Submersible pumps with high power grinder, with horizontal delivery port.

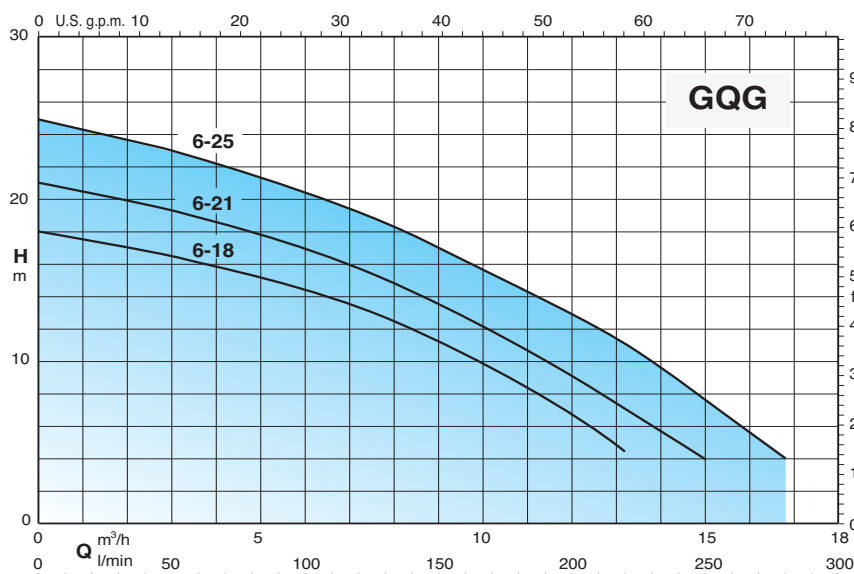
2-pole induction motor, 50Hz (n ≈ 2900 rpm)

**GQG:** three-phase 400 V +/-10%;

**GQGM:** Single-phase 230 V +/-10% complete control box with thermal protector and capacitors (without float switch).

10 m cable.

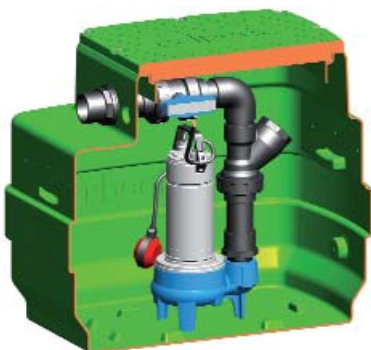
Liquid temperature up to 35 °C.





### Pumps characteristics

#### GEO 230-GQS



#### Features

Automatic waste water collecting and lifting station GQS series.

#### It includes:

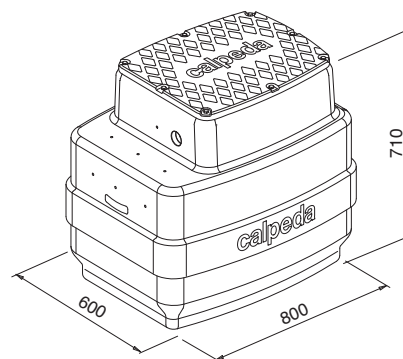
- 1 tank capacity 230 l
- 1 pump - single-phase 10 m cable and float switch
  - three-phase with 10 cable with support kit and float switch
- 1 control box for three-phase version
- 1 discharge pipe kit Ø 63 mm in PVC with a ball valve and non-return ball valve

#### On demand

- 1 safety float switch (with support for single-phase version) and auto-supplied control panel for remote alarm with horn and flashing light
- extension 300 mm

| Single-phase type  | 1 ~ 230 V |     | Q max<br>m³/h | H max<br>m |
|--------------------|-----------|-----|---------------|------------|
|                    | kW        | A   |               |            |
| GEO 230-GQSM 50-8  | 0,55      | 4,3 | 24            | 7,4        |
| GEO 230-GQSM 50-9  | 0,75      | 4,8 | 27            | 8,8        |
| GEO 230-GQSM 50-11 | 0,9       | 6,6 | 33            | 10,5       |
| GEO 230-GQSM 50-13 | 1,1       | 8,4 | 36            | 12,5       |
| GEO 230-GQSM 50-15 | 1,5       | 13  | 36            | 14,4       |

| Three-phase type  | 3 ~ 400 V |     | Q max<br>m³/h | H max<br>m |
|-------------------|-----------|-----|---------------|------------|
|                   | kW        | A   |               |            |
| GEO 230-GQS 50-8  | 0,55      | 1,5 | 24            | 7,4        |
| GEO 230-GQS 50-9  | 0,75      | 1,8 | 27            | 8,8        |
| GEO 230-GQS 50-11 | 0,9       | 2,3 | 33            | 10,5       |
| GEO 230-GQS 50-13 | 1,1       | 3   | 36            | 12,5       |
| GEO 230-GQS 50-15 | 1,5       | 4   | 36            | 14,4       |



#### GQS

Single-impeller submersible pumps, with vertical delivery port.

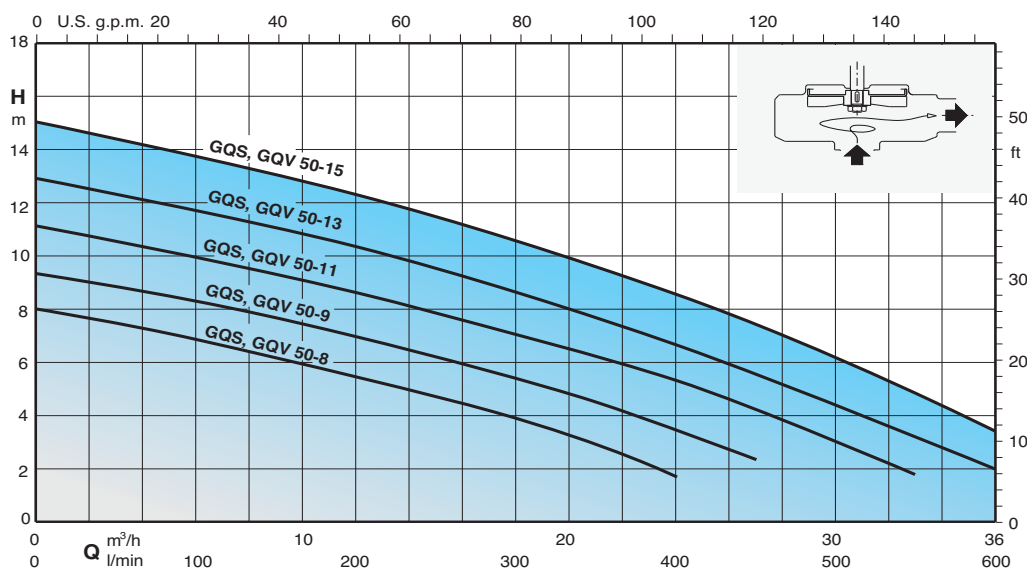
**GQS:** with free-flow (vortex) impeller  
2-pole induction motor, 50Hz (n ≈ 2900 rpm)

**GQS:** three-phase 400 V +/-10%;

**GQSM:** single-phase 230 V +/-10%, with float switch and thermal protector.  
Incorporated capacitor.

Cable length 10 m.

Liquid temperature up to 35 °C



### Pumps characteristics



GEO 230-GQV

#### Features

Automatic waste water collecting and lifting station GQV series.

#### It includes:

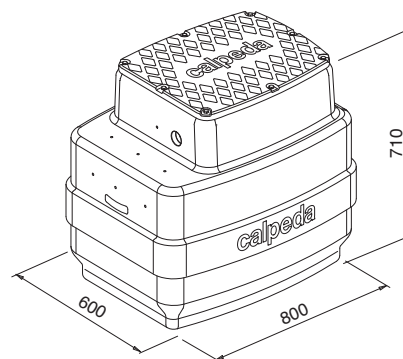
- 1 tank capacity 230 l
- 1 pump - single-phase with 10 m cable, without float switch
- three-phase with 10 cable, without float switch
- 1 support kit with float switch
- 1 control box
- 1 duck foot coupling kit
- 1 discharge pipe kit Ø 63 mm in PVC/inox with a ball valve and non-return ball valve

#### On demand

- 1 safety float switch and auto-supplied control panel for remote alarm with horn and flashing light
- extension 300 mm

| Single-phase type  | 1 ~ 230 V |     | Q max<br>m³/h | H max<br>m |
|--------------------|-----------|-----|---------------|------------|
|                    | kW        | A   |               |            |
| GEO 230-GQVM 50-8  | 0,55      | 4,3 | 24            | 7,4        |
| GEO 230-GQVM 50-9  | 0,75      | 4,8 | 27            | 8,8        |
| GEO 230-GQVM 50-11 | 0,9       | 6,6 | 33            | 10,5       |
| GEO 230-GQVM 50-13 | 1,1       | 8,4 | 36            | 12,5       |
| GEO 230-GQVM 50-15 | 1,5       | 13  | 36            | 14,4       |

| Three-phase type  | 3 ~ 400 V |     | Q max<br>m³/h | H max<br>m |
|-------------------|-----------|-----|---------------|------------|
|                   | kW        | A   |               |            |
| GEO 230-GQV 50-8  | 0,55      | 1,5 | 24            | 7,4        |
| GEO 230-GQV 50-9  | 0,75      | 1,8 | 27            | 8,8        |
| GEO 230-GQV 50-11 | 0,9       | 2,3 | 33            | 10,5       |
| GEO 230-GQV 50-13 | 1,1       | 3   | 36            | 12,5       |
| GEO 230-GQV 50-15 | 1,5       | 4   | 36            | 14,4       |



#### GQV

Single-impeller submersible pumps, with horizontal delivery port.

**GQV:** with free-flow (vortex) impeller

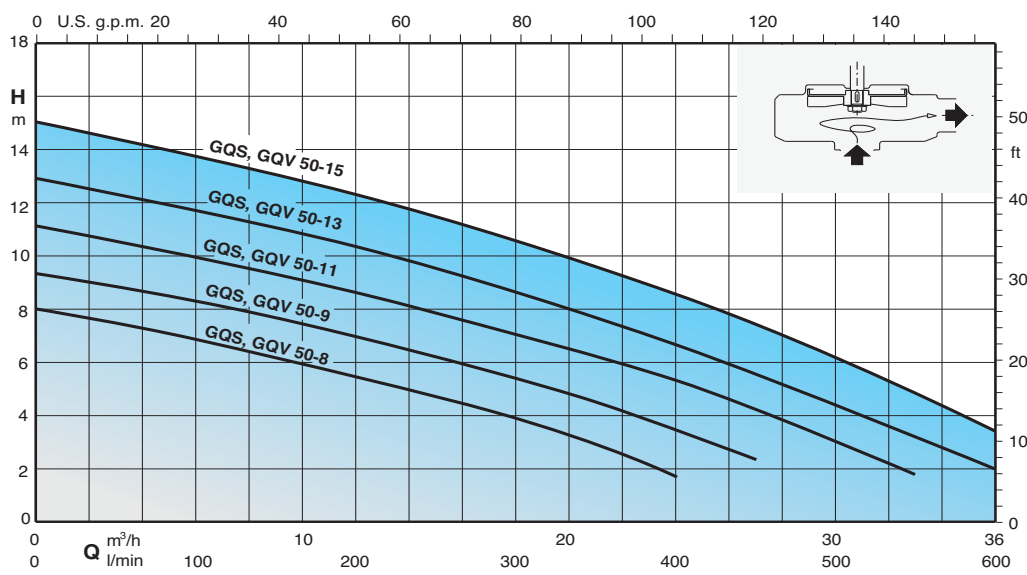
2-pole induction motor, 50Hz (n ≈ 2900 rpm)

**GQV:** three-phase 400 V +/-10%;

**GQVM:** single-phase 230 V +/-10%, with thermal protector, with built-in capacitor (without float switch).

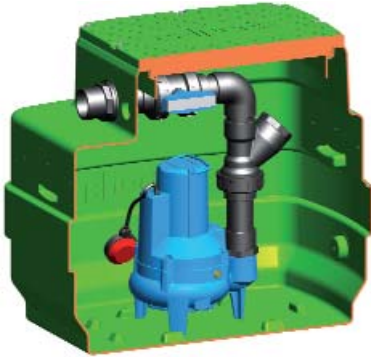
Cable length 10 m.

Liquid temperature up to 35 °C



### Pumps characteristics

GEO 230-GM..



#### Features

Automatic waste water collecting and lifting station GMV, GMC series.

#### It includes:

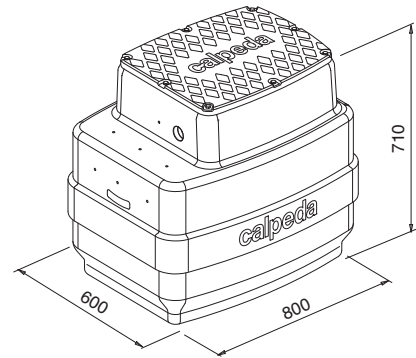
- 1 tank capacity 230 l
- 1 pump - single-phase 10 m cable and float switch
  - three-phase with 10 cable with support kit and float switch
- 1 control box for three-phase version
- 1 discharge pipe kit Ø 63 mm in PVC with a ball valve and non-return ball valve

#### On demand

- 1 safety float switch (with support for single-phase version) and auto-supplied control panel for remote alarm with horn and flashing light
- extension 300 mm

| Single-phase type | 1 ~ 230 V |     | Q max<br>m³/h | H max<br>m |
|-------------------|-----------|-----|---------------|------------|
|                   | kW        | A   |               |            |
| GEO 230-GMCM 50CE | 0,75      | 4,5 | 36            | 9,5        |
| GEO 230-GMCM 50BE | 1,1       | 6,5 | 42            | 12,5       |
| GEO 230-GMVM 50CE | 0,75      | 4,5 | 31            | 8          |
| GEO 230-GMVM 50BE | 1,1       | 6,5 | 35            | 9,5        |

| Three-phase type | 3 ~ 400 V |     | Q max<br>m³/h | H max<br>m |
|------------------|-----------|-----|---------------|------------|
|                  | kW        | A   |               |            |
| GEO 230-GMC 50CE | 0,75      | 1,9 | 36            | 9,5        |
| GEO 230-GMC 50BE | 1,1       | 2,7 | 42            | 12,5       |
| GEO 230-GMC 50AE | 1,5       | 3,8 | 48            | 14,5       |
| GEO 230-GMV 50CE | 0,75      | 1,9 | 31            | 8          |
| GEO 230-GMV 50BE | 1,1       | 2,7 | 35            | 9,5        |
| GEO 230-GMV 50AE | 1,5       | 3,8 | 39            | 11,5       |



#### GMC, GMV

Submersible sewage and drainage pumps.

**GMC**, with single-channel impeller.

**GMV**, with free-flow (vortex) impeller.

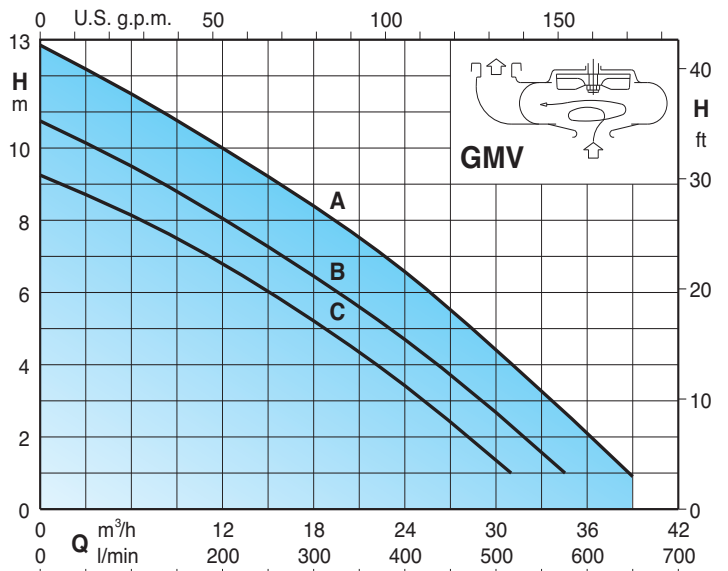
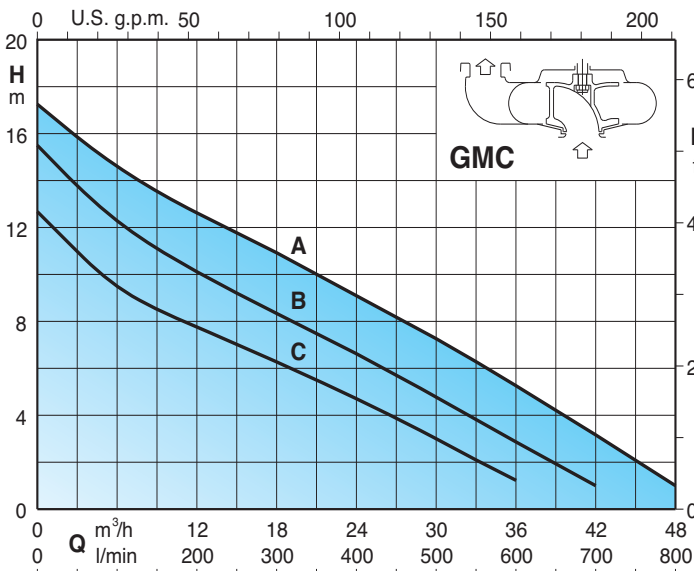
2-pole induction motor, 50Hz (n ≈ 2900 rpm)

**GMV, GMC:** three-phase 400 V +/-10%;  
with 2 built-in thermal protectors to be connected to the control panel.

**GMVM, GMVM:** single-phase 230 V ± 10%, built-in thermal protector and built-in capacitor.  
Float switch for automatic operation.

Cable length 10 m.

Liquid temperature up to 35 °C.



### Pumps characteristics



GEO 230-GM..

#### Features

Automatic waste water collecting and lifting station GMV, GMC series.

#### It includes:

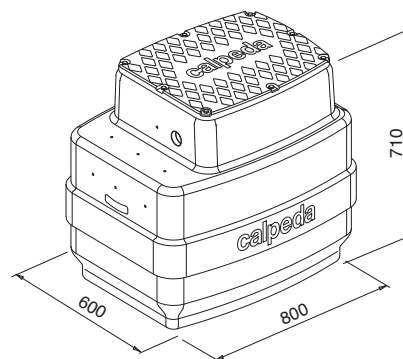
- 1 tank capacity 230 l
- 1 pump - single-phase 10 m cable and float switch
  - three-phase with 10 cable with support kit and float switch
- 1 control box for three-phase version
- 1 duck foot coupling kit
- 1 discharge pipe kit Ø 63 mm in PVC with a ball valve and non-return ball valve

#### On demand

- 1 safety float switch (with support for single-phase version) and auto-supplied control panel for remote alarm with horn and flashing light
  - extension 300 mm

| Single-phase type          | 1 ~ 230 V |     | Q max<br>m³/h | H max<br>m |
|----------------------------|-----------|-----|---------------|------------|
|                            | kW        | A   |               |            |
| <b>GEO 230-GMCM 50-65C</b> | 0,75      | 4,5 | 36            | 9,5        |
| <b>GEO 230-GMCM 50-65B</b> | 1,1       | 6,5 | 42            | 12,5       |
| <b>GEO 230-GMVM 50-65C</b> | 0,75      | 4,5 | 31            | 8          |
| <b>GEO 230-GMVM 50-65B</b> | 1,1       | 6,5 | 35            | 9,5        |

| Three-phase type          | 3 ~ 400 V |     | Q max<br>m³/h | H max<br>m |
|---------------------------|-----------|-----|---------------|------------|
|                           | kW        | A   |               |            |
| <b>GEO 230-GMC 50-65C</b> | 0,75      | 1,9 | 36            | 9,5        |
| <b>GEO 230-GMC 50-65B</b> | 1,1       | 2,7 | 42            | 12,5       |
| <b>GEO 230-GMC 50-65A</b> | 1,5       | 3,8 | 48            | 14,5       |
| <b>GEO 230-GMV 50-65C</b> | 0,75      | 1,9 | 31            | 8          |
| <b>GEO 230-GMV 50-65B</b> | 1,1       | 2,7 | 35            | 9,5        |
| <b>GEO 230-GMV 50-65A</b> | 1,5       | 3,8 | 39            | 11,5       |



#### GMC, GMV

Submersible sewage and drainage pumps.

**GMC**, with single-channel impeller.

**GMV**, with free-flow (vortex) impeller.

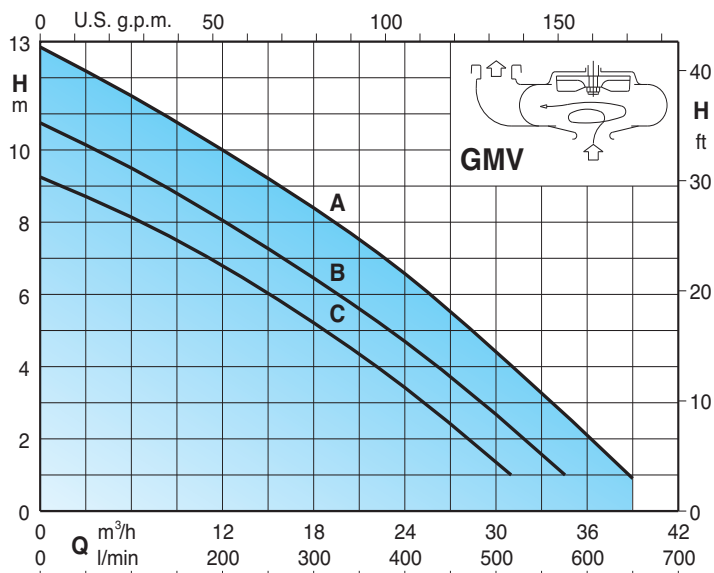
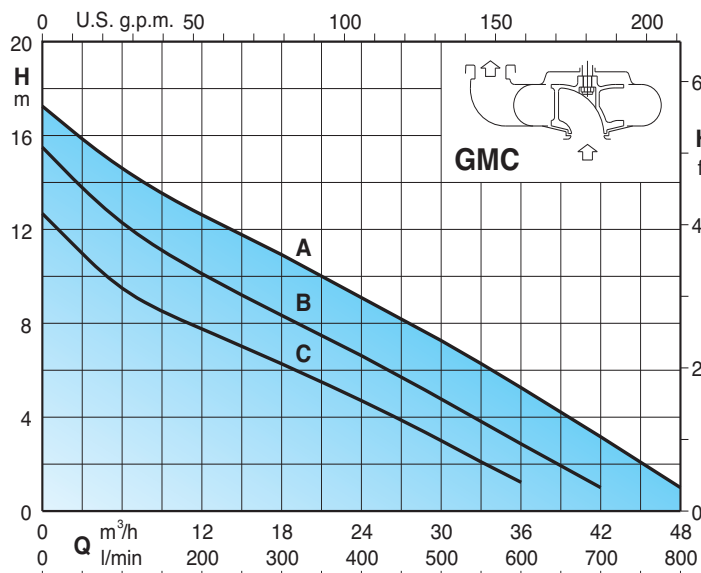
2-pole induction motor, 50Hz (n ≈ 2900 rpm)

**GMV, GMC:** three-phase 400 V +/-10%;  
with 2 built-in thermal protectors to be connected to the control panel.

**GMVM, GMVM:** single-phase 230 V ± 10%, built-in thermal protector and built-in capacitor.  
Float switch for automatic operation.

Cable length 10 m.

Liquid temperature up to 35 °C.



### Pumps characteristics

GEO 500-GM 10



#### Features

Automatic clear water collecting and lifting station with GM 10 pump series.

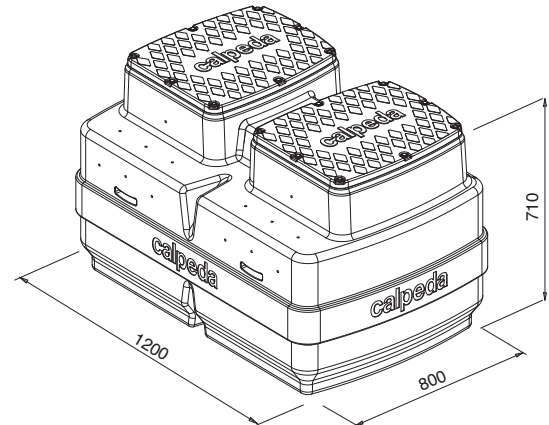
#### It includes:

- 1 tank capacity 500 l
- 2 single-phase pump with 5 m cable without float switch
- 1 support kit with 2 float switch
- 1 control box
- 2 discharge pipe kit Ø 40 mm in PVC

#### On demand

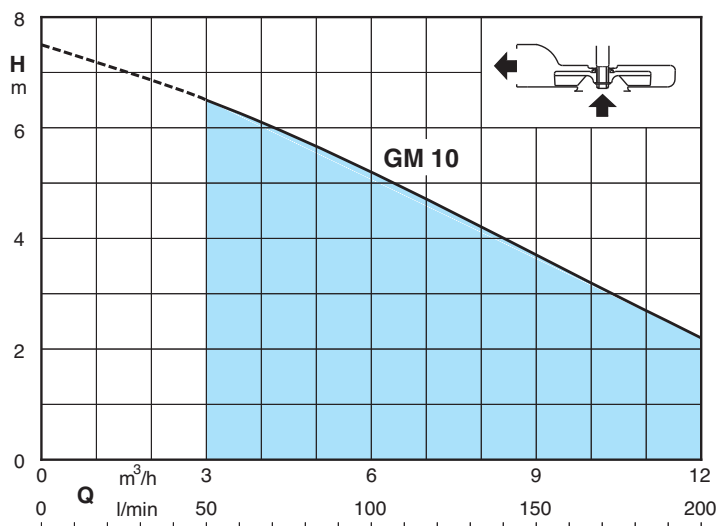
- 2 single-phase pumps with 10 m cable, without float switch
- 2 discharge pipe kit Ø 40 mm in PVC with a ball valve and non-return ball valve
- 1 safety float switch and auto-supplied control panel for remote alarm with horn and flashing light
- extension 300 mm

| Single-phase type     | 1 ~ 230 V |        | Q max<br>m <sup>3</sup> /h | H max<br>m |
|-----------------------|-----------|--------|----------------------------|------------|
|                       | kW        | A      |                            |            |
| <b>GEO 500-2GM 10</b> | 0,3x2     | 1,75x2 | 12x2                       | 6,5        |



### GM 10

Submersible drainage pump constructed from composite polymers.  
 Shaft of chrome steel AISI 430.  
 2-pole induction motor, 50Hz (n ≈ 2900 rpm).  
 Single-phase 230 V +/-10% with thermal protector (without float switch).  
 5 m cable and control box with capacitor.  
 Liquid temperature up to 35 °C



### Pumps characteristics

GEO 500-2GX..



| Single-phase type   | 1 ~ 230 V |       | Q max<br>m <sup>3</sup> /h | H max<br>m |
|---------------------|-----------|-------|----------------------------|------------|
|                     | kW        | A     |                            |            |
| GEO 500-2GXVM 25-6  | 0,25x2    | 2,5x2 | 10,2x2                     | 5,7        |
| GEO 500-2GXVM 25-8  | 0,37x2    | 3,5x2 | 12x2                       | 7,8        |
| GEO 500-2GXVM 25-10 | 0,45x2    | 4,5x2 | 13,2x2                     | 9,5        |
| GEO 500-2GXRM 9     | 0,25x2    | 2,5x2 | 10,2x2                     | 8,3        |
| GEO 500-2GXRM 11    | 0,37x2    | 3,5x2 | 12x2                       | 10,4       |
| GEO 500-2GXRM 13    | 0,45x2    | 4,5x2 | 13,2x2                     | 11,7       |

#### Features

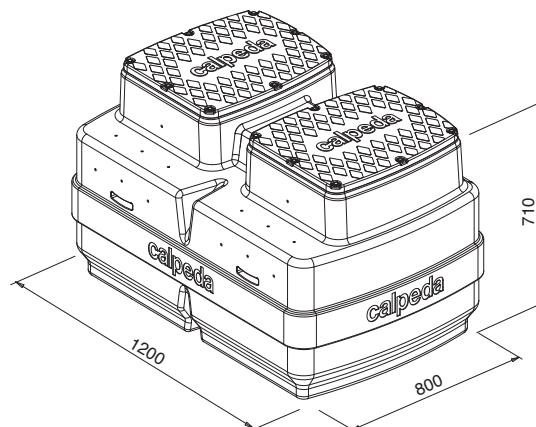
Automatic collecting and lifting station - for clean water with **GXR** pump series  
- for waste water with **GXV** pump series.

#### It includes:

- 1 tank capacity 500 l
- 2 single-phase pump with 5 m cable without float switch
- 1 support kit with 2 float switch
- 1 control box
- 2 discharge pipe kit Ø 40 mm in PVC

#### On demand

- 2 single-phase pumps with 10 m cable, without float switch
- 2 discharge pipe kit Ø 40 mm in PVC with a ball valve and non-return ball valve
- 1 safety float switch and auto-supplied control panel for remote alarm with horn and flashing light
- extension 300 mm



GXR

GXV

#### GXR, GXV

Submersible drainage pump in chrome-nickel stainless steel, with vertical delivery port.

**GXR**: with open impeller.

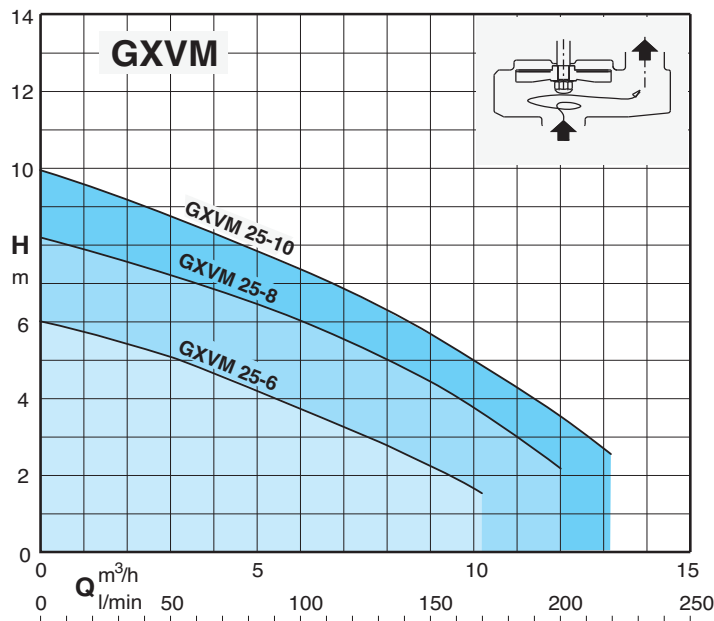
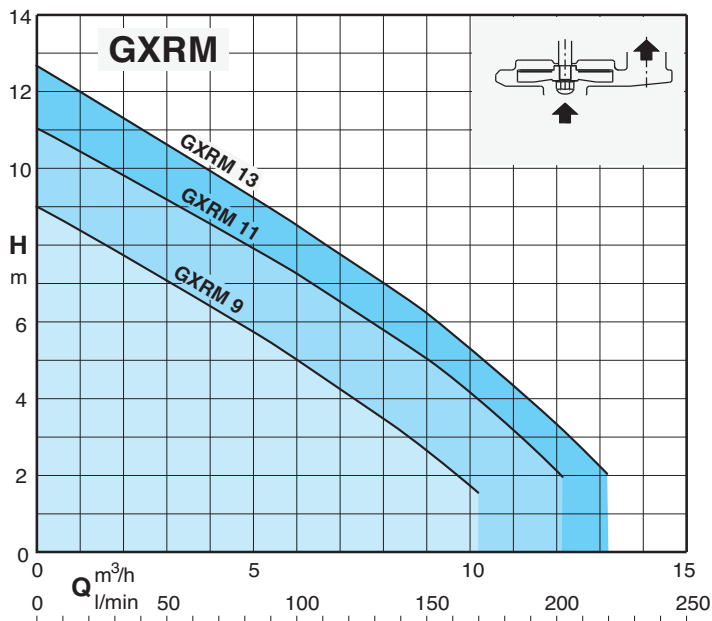
**GXV**: with free-flow (vortex) impeller.

2-pole induction motor, 50Hz (n ≈ 2900 rpm),

Single-phase 230 V +/-10% with thermal protector. Incorporated capacitor.

Cable length 5 m.

Liquid temperature up to 35 °C



### Pumps characteristics

#### GEO 500-2GQR



#### Features

Automatic collecting and lifting station for clean water with **GQR** pump series

#### It includes:

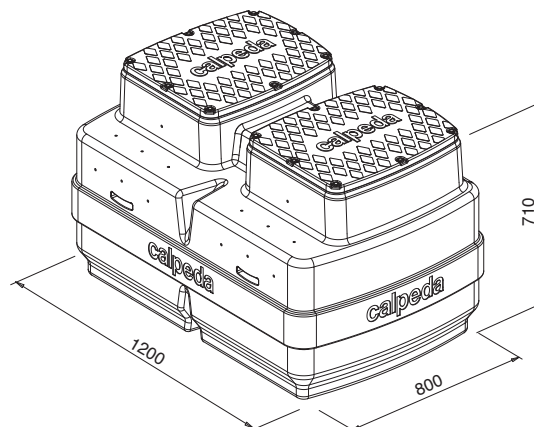
- 1 tank capacity 500 l
- 2 pumps - single-phase with 10 m cable without float switch  
- three-phase with 10 m cable
- 1 support kit with 2 float switch
- 1 control box
- 2 discharge pipe kit Ø 50 mm in PVC

#### On demand

- 2 discharge pipe kit Ø 50 mm in PVC with a ball valve and non-return ball valve
- 1 safety float switch and auto-supplied control panel for remote alarm with horn and flashing light
- extension 300 mm

| Single-phase type   | 1 ~ 230 V |       | Q max<br>m³/h | H max<br>m |
|---------------------|-----------|-------|---------------|------------|
|                     | kW        | A     |               |            |
| GEO 500-2GQRM 10-10 | 0,45x2    | 3,1x2 | 18x2          | 9,5        |
| GEO 500-2GQRM 10-12 | 0,55x2    | 3,6x2 | 21x2          | 11,6       |
| GEO 500-2GQRM 10-14 | 0,75x2    | 4,6x2 | 24x2          | 13,5       |
| GEO 500-2GQRM 10-16 | 0,9x2     | 6x2   | 27x2          | 15,5       |
| GEO 500-2GQRM 10-18 | 1,1x2     | 8x2   | 30x2          | 17,5       |
| GEO 500-2GQRM 10-20 | 1,5x2     | 13 x2 | 30x2          | 19,5       |

| Three-phase type   | 3 ~ 400 V |       | Q max<br>m³/h | H max<br>m |
|--------------------|-----------|-------|---------------|------------|
|                    | kW        | A     |               |            |
| GEO 500-2GQR 10-10 | 0,45x2    | 1,2x2 | 18x2          | 9,5        |
| GEO 500-2GQR 10-12 | 0,55x2    | 1,4x2 | 21x2          | 11,6       |
| GEO 500-2GQR 10-14 | 0,75x2    | 1,6x2 | 24x2          | 13,5       |
| GEO 500-2GQR 10-16 | 0,9x2     | 2,3x2 | 27x2          | 15,5       |
| GEO 500-2GQR 10-18 | 1,1x2     | 2,8x2 | 30x2          | 17,5       |
| GEO 500-2GQR 10-20 | 1,5x2     | 3,8x2 | 30x2          | 19,5       |



#### GQR

Single-impeller submersible drainage pump, with vertical delivery port.

**GQR:** with open impeller.

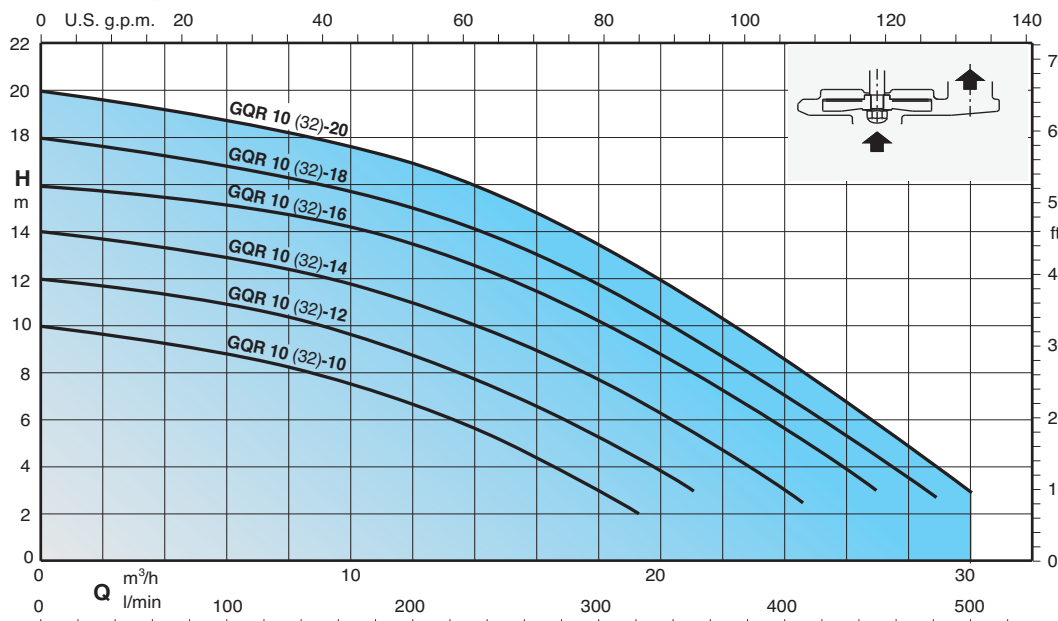
2-pole induction motor, 50Hz (n ≈ 2900 rpm),

**GQR:** three-phase 400 V +/-10%;

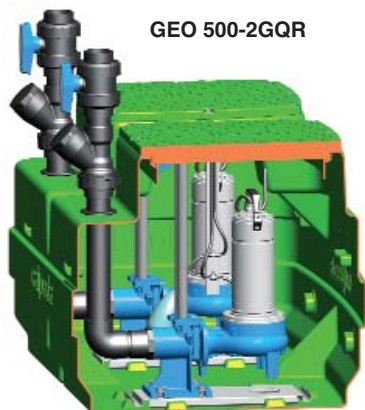
**GQRM:** Single-phase 230 V +/-10% with thermal protector and incorporated capacitor (without float switch).

Cable length 10 m.

Liquid temperature up to 35 °C.



### Pumps characteristics



GEO 500-2GQR

#### Features

Automatic waste water collecting and lifting station with GQR pump series.

#### It includes:

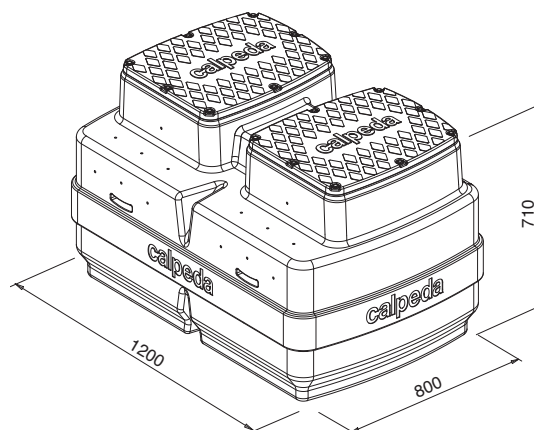
- 1 tank capacity 500 l
- 2 pumps - single-phase 10 m cable without float switch
  - three-phase with 10 cable
- 1 support kit with 2 float switch
- 1 control box
- 2 duck foot coupling kit
- 2 discharge pipe kit Ø 63 mm in PVC with a ball valve and non-return ball valve

#### On demand

- 1 safety float switch and auto-supplied control panel for remote alarm
  - with horn and flashing light
  - extension 300 mm

| Single-phase type      | 1 ~ 230 V |       | Q max<br>m³/h | H max<br>m |
|------------------------|-----------|-------|---------------|------------|
|                        | kW        | A     |               |            |
| GEO 500-2GQRM 10 32-10 | 0,45x2    | 3,1x2 | 18x2          | 9,5        |
| GEO 500-2GQRM 10 32-12 | 0,55x2    | 3,6x2 | 21x2          | 11,6       |
| GEO 500-2GQRM 10 32-14 | 0,75x2    | 4,6x2 | 24x2          | 13,5       |
| GEO 500-2GQRM 10 32-16 | 0,9x2     | 6x2   | 27x2          | 15,5       |
| GEO 500-2GQRM 10 32-18 | 1,1x2     | 8x2   | 30x2          | 17,5       |
| GEO 500-2GQRM 10 32-20 | 1,5x2     | 13x2  | 30x2          | 19,5       |

| Three-phase type      | 3 ~ 400 V |       | Q max<br>m³/h | H max<br>m |
|-----------------------|-----------|-------|---------------|------------|
|                       | kW        | A     |               |            |
| GEO 500-2GQR 10 32-10 | 0,45x2    | 1,2x2 | 18x2          | 9,5        |
| GEO 500-2GQR 10 32-12 | 0,55x2    | 1,4x2 | 21x2          | 11,6       |
| GEO 500-2GQR 10 32-14 | 0,75x2    | 1,6x2 | 24x2          | 13,5       |
| GEO 500-2GQR 10 32-16 | 0,9x2     | 2,3x2 | 27x2          | 15,5       |
| GEO 500-2GQR 10 32-18 | 1,1x2     | 2,8x2 | 30x2          | 17,5       |
| GEO 500-2GQR 10 32-20 | 1,5x2     | 3,8x2 | 30x2          | 19,5       |



#### GQR

Single-impeller submersible drainage pump, with horizontal delivery port.

**GQR:** with open impeller.

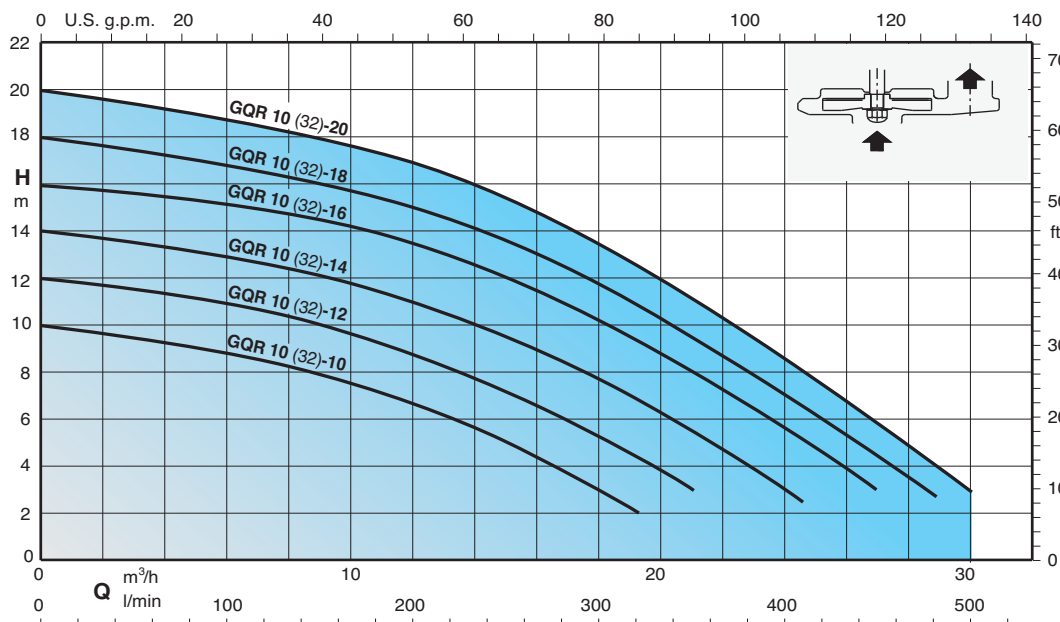
2-pole induction motor, 50Hz ( $n \approx 2900$  rpm),

**GQR:** three-phase 400 V +/-10%;

**GQRM:** single-phase 230 V +/-10%, with thermal protector, with built-in capacitor (without float switch).

10 m cable.

Liquid temperature up to 35 °C





### Pumps characteristics

GEO 500-2GX..



#### Features

Automatic waste water collecting and lifting station with GX 40 pump series.

#### It includes:

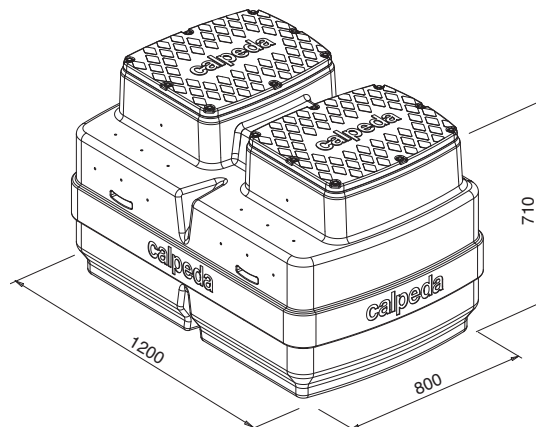
- 1 tank capacity 500 l
- 2 pumps - single-phase with 10 m cable without float switch
- three-phase with 10 m cable
- 1 support kit with 2 float switch
- 1 electric control box
- 2 discharge pipe kit Ø 50 mm in PVC

#### On demand

- 2 discharge pipe kit Ø 50 mm in PVC with a ball valve and non-return ball valve
- 1 safety float switch and auto-supplied control panel for remote alarm with horn and flashing light
- extension 300 mm

| Single-phase type   | 1 ~ 230 V |       | Q max<br>m³/h | H max<br>m |
|---------------------|-----------|-------|---------------|------------|
|                     | kW        | A     |               |            |
| GEO 500-2GXCM 40-10 | 0,55x2    | 4,6x2 | 21x2          | 9          |
| GEO 500-2GXCM 40-13 | 0,9x2     | 6,6x2 | 26x2          | 11,6       |
| GEO 500-2GXVM 40-7  | 0,55x2    | 4,6x2 | 15x2          | 6,2        |
| GEO 500-2GXVM 40-8  | 0,75x2    | 5,4x2 | 18x2          | 7,2        |
| GEO 500-2GXVM 40-8  | 0,9x2     | 6x2   | 21x2          | 8,1        |

| Three-phase type   | 3 ~ 400 V |       | Q max<br>m³/h | H max<br>m |
|--------------------|-----------|-------|---------------|------------|
|                    | kW        | A     |               |            |
| GEO 500-2GXC 40-10 | 0,55x2    | 1,6x2 | 21x2          | 9          |
| GEO 500-2GXC 40-13 | 0,9x2     | 2,3x2 | 26x2          | 11,6       |
| GEO 500-2GXV 40-7  | 0,55x2    | 1,6x2 | 15x2          | 6,2        |
| GEO 500-2GXV 40-8  | 0,75x2    | 2,2x2 | 18x2          | 7,2        |
| GEO 500-2GXV 40-9  | 0,9x2     | 2,3x2 | 21x2          | 8,1        |



#### GXC, GXV

Submersible sewage and drainage pumps in chrome-nickel stainless steel, with vertical delivery port.

**GXC**, with single-channel impeller.

**GXV**: with free-flow (vortex) impeller

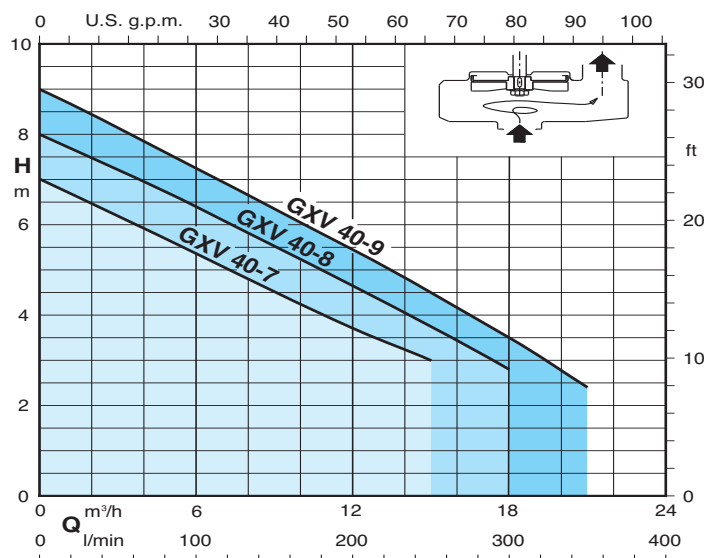
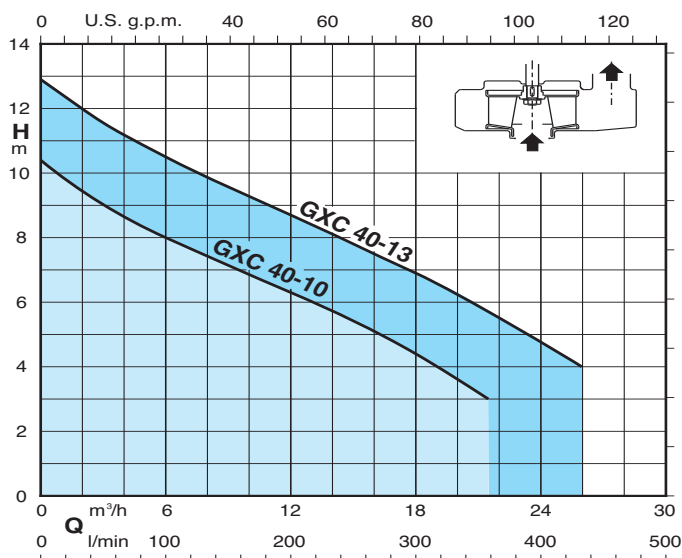
2-pole induction motor, 50Hz (n ≈ 2900 rpm).

**GXC, GXV**: three-phase 400 V +/-10%;

**GXCM, GXVM**: single-phase 230 V +/-10%, with thermal protector and incorporated capacitor (without float switch).

Cable length 10 m.

Liquid temperature up to 35 °C



### Pumps characteristics



GEO 500-2GQG

#### Features

Automatic sewage water collecting and lifting station with grinder pumps GQG series.

#### It includes:

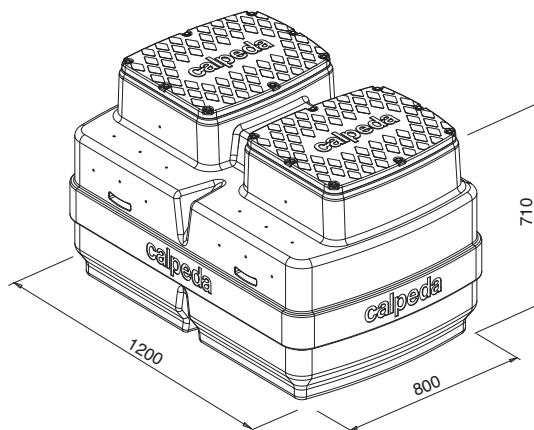
- 1 tank capacity 500 l
- 2 pumps - single-phase 10 m cable without float switch  
- three-phase with 10 cable
- 1 support kit with 2 float switch
- 1 electric control box (with capacitor for single-phase motors)
- 2 duck foot coupling kit
- 2 discharge pipe kit Ø 63 mm in PVC with a ball valve and non-return ball valve

#### On demand

- 1 safety float switch and auto-supplied control panel for remote alarm with horn and flashing light
- extension 300 mm

| Single-phase type         | 1 ~ 230 V |       | Q max<br>m³/h | H max<br>m |
|---------------------------|-----------|-------|---------------|------------|
|                           | kW        | A     |               |            |
| <b>GEO 500-2GQGM 6-18</b> | 0,9x2     | 7x2   | 13,2x2        | 16,5       |
| <b>GEO 500-2GQGM 6-21</b> | 1,1x2     | 7,5x2 | 15x2          | 19,2       |
| <b>GEO 500-2GQGM 6-25</b> | 1,5x2     | 9,5x2 | 16,8x2        | 23         |

| Three-phase type         | 3 ~ 400 V |       | Q max<br>m³/h | H max<br>m |
|--------------------------|-----------|-------|---------------|------------|
|                          | kW        | A     |               |            |
| <b>GEO 500-2GQG 6-18</b> | 0,9x2     | 2,3x2 | 13,2x2        | 16,5       |
| <b>GEO 500-2GQG 6-21</b> | 1,1x2     | 2,8x2 | 15x2          | 19,2       |
| <b>GEO 500-2GQG 6-25</b> | 1,5x2     | 3,8x2 | 16,8x2        | 23         |



#### GQG

Submersible pumps with high power grinder, with horizontal delivery port.

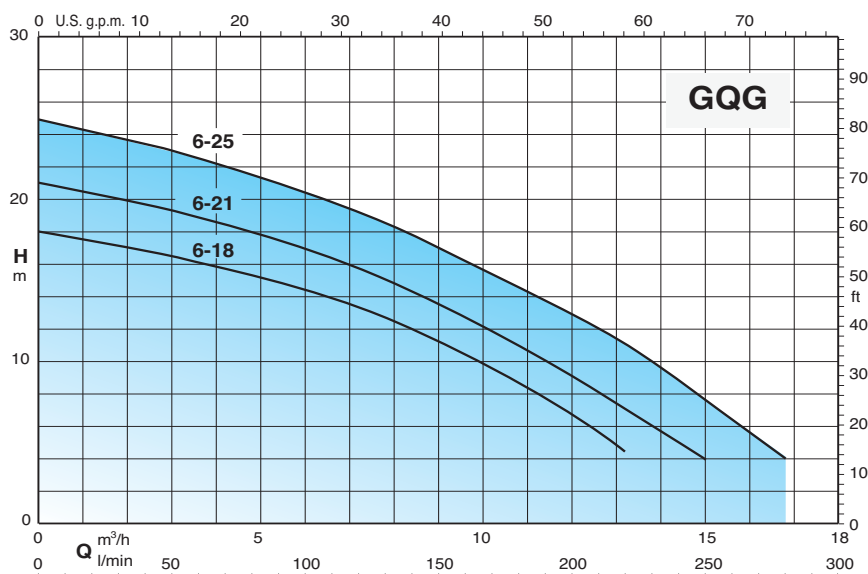
2-pole induction motor, 50Hz (n ≈ 2900 rpm)

**GQG:** three-phase 400 V +/-10%;

**GQGM:** Single-phase 230 V +/-10% complete control box with thermal protector and capacitors (without float switch).

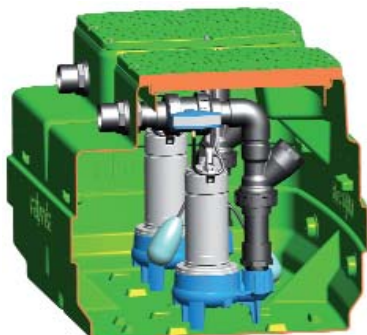
10 m cable.

Liquid temperature up to 35 °C.



### Pumps characteristics

GEO 500-2GQS



#### Features

Automatic waste water collecting and lifting station GQS series.

#### It includes:

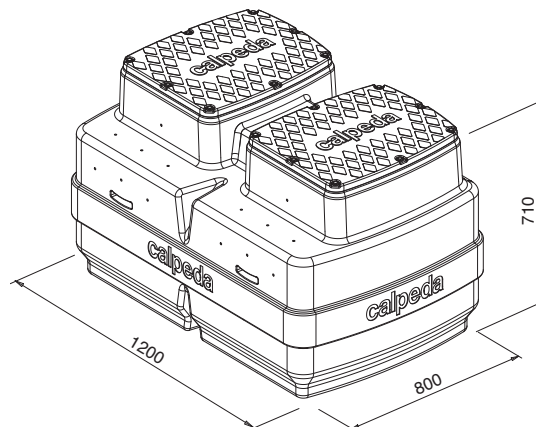
- 1 tank capacity 500 l
- 2 pumps - single-phase 10 m cable without float switch
- three-phase with 10 cable
- 1 support kit with 2 float switch
- 1 control box for three-phase version
- 2 discharge pipe kit Ø 63 mm in PVC with a ball valve and non-return ball valve

#### On demand

- 1 safety float switch and auto-supplied control panel for remote alarm with horn and flashing light
- extension 300 mm

| Single-phase type   | 1 ~ 230 V |       | Q max<br>m <sup>3</sup> /h | H max<br>m |
|---------------------|-----------|-------|----------------------------|------------|
|                     | kW        | A     |                            |            |
| GEO 500-2GQSM 50-8  | 0,55x2    | 4,3x2 | 24x2                       | 7,4        |
| GEO 500-2GQSM 50-9  | 0,75x2    | 4,8x2 | 27x2                       | 8,8        |
| GEO 500-2GQSM 50-11 | 0,9x2     | 6,6x2 | 33x2                       | 10,5       |
| GEO 500-2GQSM 50-13 | 1,1x2     | 8,4x2 | 36x2                       | 12,5       |
| GEO 500-2GQSM 50-15 | 1,5x2     | 13x2  | 36x2                       | 14,4       |

| Three-phase type   | 3 ~ 400 V |       | Q max<br>m <sup>3</sup> /h | H max<br>m |
|--------------------|-----------|-------|----------------------------|------------|
|                    | kW        | A     |                            |            |
| GEO 500-2GQS 50-8  | 0,55x2    | 1,5x2 | 24x2                       | 7,4        |
| GEO 500-2GQS 50-9  | 0,75x2    | 1,8x2 | 27x2                       | 8,8        |
| GEO 500-2GQS 50-11 | 0,9x2     | 2,3x2 | 33x2                       | 10,5       |
| GEO 500-2GQS 50-13 | 1,1x2     | 3x2   | 36x2                       | 12,5       |
| GEO 500-2GQS 50-15 | 1,5x2     | 4x2   | 36x2                       | 14,4       |



#### GQS

Single-impeller submersible pumps, with vertical delivery port.

**GQS:** with free-flow (vortex) impeller

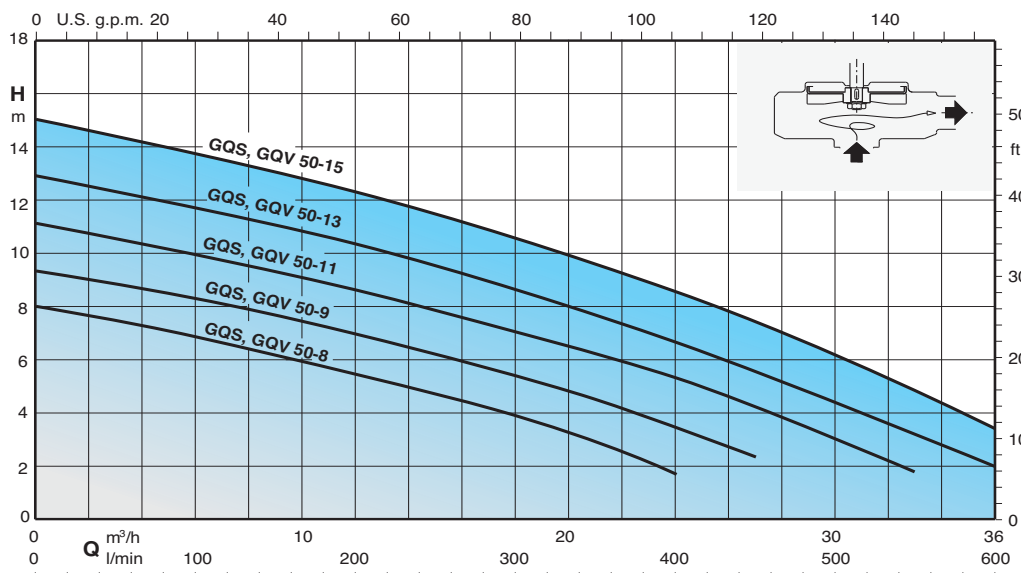
2-pole induction motor, 50Hz (n ≈ 2900 rpm)

**GQS:** three-phase 400 V +/-10%;

**GQSM:** single-phase 230 V +/-10%, with thermal protector, with built-in capacitor (without float switch).

10 m cable.

Liquid temperature up to 35 °C



### Pumps characteristics



GEO 500-2GQV

#### Features

Automatic waste water collecting and lifting station with GQV pump series.

#### It includes:

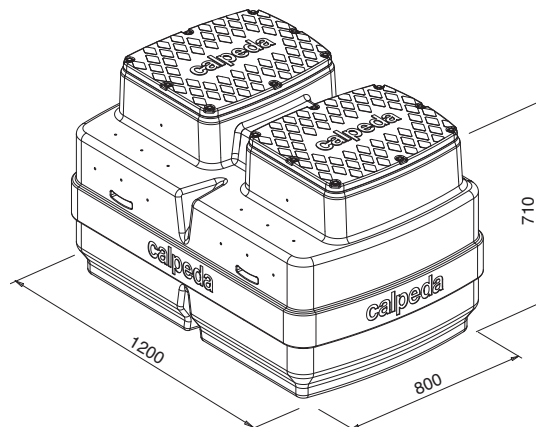
- 1 tank capacity 500 l
- 2 pumps - single-phase 10 m cable without float switch
  - three-phase with 10 cable
- 1 support kit with 2 float switch
- 1 control box
- 2 duck foot coupling kit
- 2 discharge pipe kit Ø 63 mm in PVC with a ball valve and non-return ball valve

#### On demand

- 1 safety float switch and auto-supplied control panel for remote alarm with horn and flashing light
- extension 300 mm

| Single-phase type   | 1 ~ 230 V |       | Q max<br>m³/h | H max<br>m |
|---------------------|-----------|-------|---------------|------------|
|                     | kW        | A     |               |            |
| GEO 500-2GQVM 50-8  | 0,55x2    | 4,3x2 | 24x2          | 7,4        |
| GEO 500-2GQVM 50-9  | 0,75x2    | 4,8x2 | 27x2          | 8,8        |
| GEO 500-2GQVM 50-11 | 0,9x2     | 6,6x2 | 33x2          | 10,5       |
| GEO 500-2GQVM 50-13 | 1,1x2     | 8,4x2 | 36x2          | 12,5       |
| GEO 500-2GQVM 50-15 | 1,1x2     | 13x2  | 36x2          | 12,5       |

| Three-phase type   | 3 ~ 400 V |       | Q max<br>m³/h | H max<br>m |
|--------------------|-----------|-------|---------------|------------|
|                    | kW        | A     |               |            |
| GEO 500-2GQV 50-8  | 0,55x2    | 1,5x2 | 24x2          | 7,4        |
| GEO 500-2GQV 50-9  | 0,75x2    | 1,8x2 | 27x2          | 8,8        |
| GEO 500-2GQV 50-11 | 0,9x2     | 2,3x2 | 33x2          | 10,5       |
| GEO 500-2GQV 50-13 | 1,1x2     | 3x2   | 36x2          | 12,5       |
| GEO 500-2GQV 50-15 | 1,5x2     | 4x2   | 36x2          | 14,4       |



#### GQV

Single-impeller submersible pumps, with horizontal delivery port.

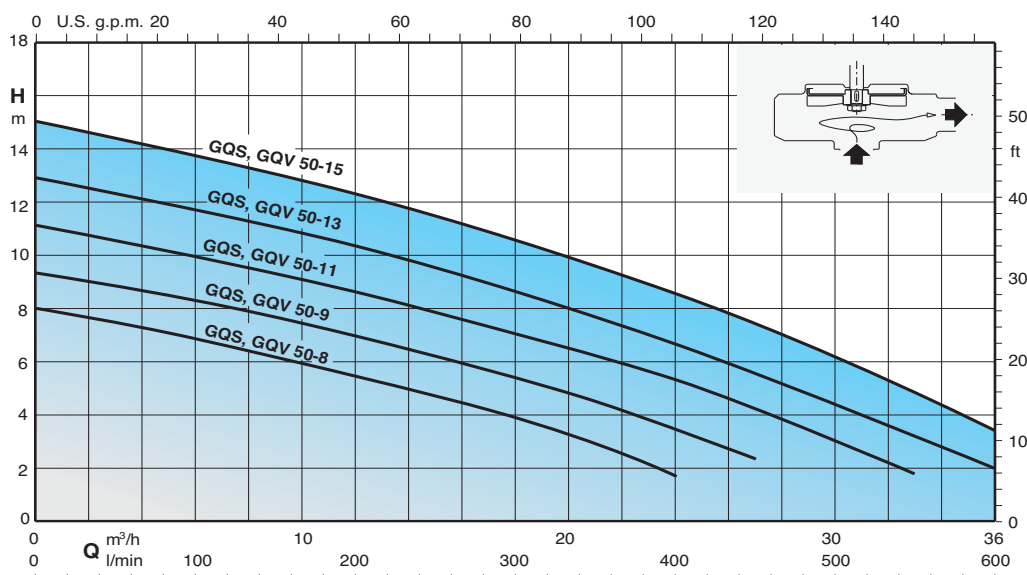
**GQV:** with free-flow (vortex) impeller

2-pole induction motor, 50Hz (n ≈ 2900 rpm)

**GQV:** three-phase 400 V +/-10%;

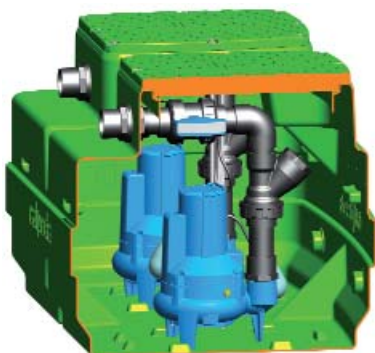
**GQVM:** single-phase 230 V +/-10%, with thermal protector, with built-in capacitor (without float switch).  
10 m cable.

Liquid temperature up to 35 °C



### Pumps characteristics

GEO 500-2GM..



#### Features

Automatic waste water collecting and lifting station GMV, GMC series.

#### It includes:

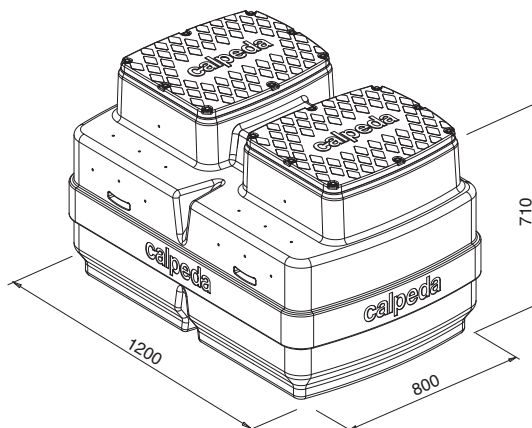
- 1 tank capacity 500 l
- 2 pumps - single-phase 10 m cable without float switch
  - three-phase with 10 cable
- 1 support kit with 2 float switch
- 1 control box for three-phase version
- 2 discharge pipe kit Ø 63 mm in PVC with a ball valve and non-return ball valve

#### On demand

- 1 safety float switch and auto-supplied control panel for remote alarm
  - with horn and flashing light
  - extension 300 mm

| Single-phase type  | 1 ~ 230 V |       | Q max<br>m³/h | H max<br>m |
|--------------------|-----------|-------|---------------|------------|
|                    | kW        | A     |               |            |
| GEO 500-2GMCM 50CE | 0,75x2    | 4,5x2 | 36x2          | 9,5        |
| GEO 500-2GMCM 50BE | 1,1x2     | 6,5x2 | 42x2          | 12,5       |
| GEO 500-2GMVM 50CE | 0,75x2    | 4,5x2 | 31x2          | 8          |
| GEO 500-2GMVM 50BE | 1,1x2     | 6,5x2 | 35x2          | 9,5        |

| Three-phase type  | 3 ~ 400 V |       | Q max<br>m³/h | H max<br>m |
|-------------------|-----------|-------|---------------|------------|
|                   | kW        | A     |               |            |
| GEO 500-2GMC 50CE | 0,75x2    | 1,9x2 | 36x2          | 9,5        |
| GEO 500-2GMC 50BE | 1,1x2     | 2,7x2 | 42x2          | 12,5       |
| GEO 500-2GMC 50AE | 1,5x2     | 3,8x2 | 48x2          | 14,5       |
| GEO 500-2GMV 50CE | 0,75x2    | 1,9x2 | 31x2          | 8          |
| GEO 500-2GMV 50BE | 1,1x2     | 2,7x2 | 35x2          | 9,5        |
| GEO 500-2GMV 50AE | 1,5x2     | 3,8x2 | 39x2          | 11,5       |



#### GMC, GMV

Submersible sewage and drainage pumps.

**GMC**, with single-channel impeller.

**GMV**, with free-flow (vortex) impeller.

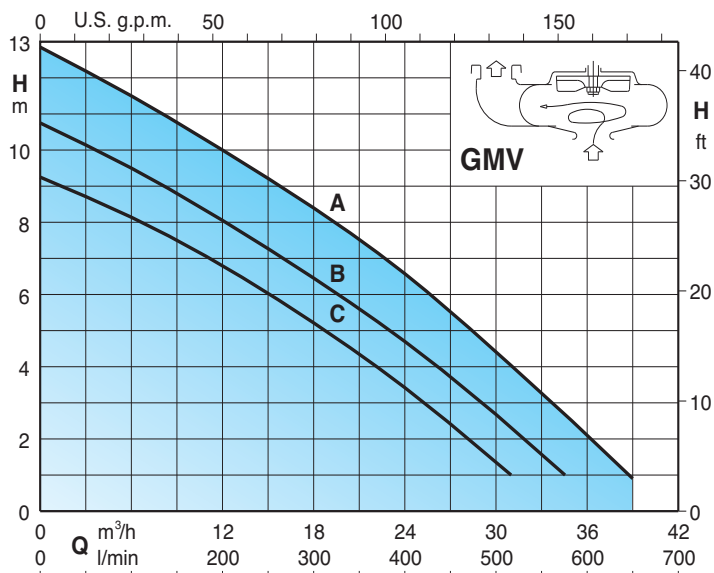
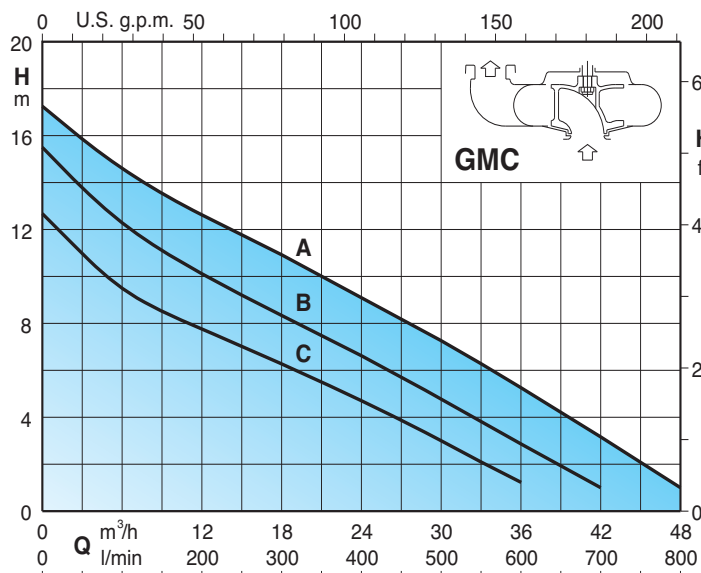
2-pole induction motor, 50Hz (n ≈ 2900 rpm)

**GMV, GMC:** three-phase 400 V +/-10%;  
with 2 built-in thermal protectors to be connected to the control panel.

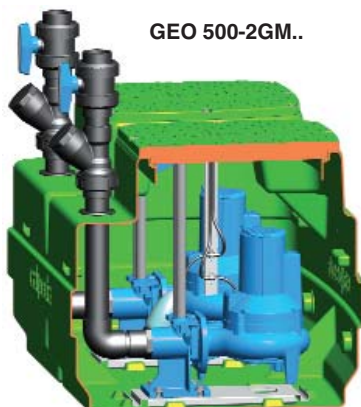
**GMVM, GMVM:** single-phase 230 V ± 10%, built-in thermal protector and built-in capacitor.  
(without float switch)

Cable length 10 m.

Liquid temperature up to 35 °C.



### Pumps characteristics



GEO 500-2GM..

#### Features

Automatic waste water collecting and lifting station GMV, GMC series.

#### It includes:

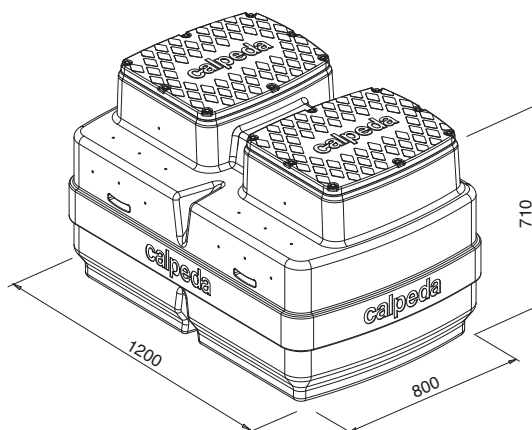
- 1 tank capacity 500 l
- 2 pumps - single-phase 10 m cable without float switch
  - three-phase with 10 cable
- 1 support kit with 2 float switch
- 1 control box for three-phase version
- 2 duck foot coupling kit
- 2 discharge pipe kit Ø 63 mm in PVC with a ball valve and non-return ball valve

#### On demand

- 1 safety float switch and auto-supplied control panel for remote alarm with horn and flashing light
- extension 300 mm

| Single-phase type    | 1 ~ 230 V |       | Q max<br>m³/h | H max<br>m |
|----------------------|-----------|-------|---------------|------------|
|                      | kW        | A     |               |            |
| GEO 500-2GMCM 50-65C | 0,75x2    | 4,5x2 | 36x2          | 9,5        |
| GEO 500-2GMCM 50-65B | 1,1x2     | 6,5x2 | 42x2          | 12,5       |
| GEO 500-2GMVM 50-65C | 0,75x2    | 4,5x2 | 31x2          | 8          |
| GEO 500-2GMVM 50-65B | 1,1x2     | 6,5x2 | 35x2          | 9,5        |

| Three-phase type    | 3 ~ 400 V |       | Q max<br>m³/h | H max<br>m |
|---------------------|-----------|-------|---------------|------------|
|                     | kW        | A     |               |            |
| GEO 500-2GMC 50-65C | 0,75x2    | 1,9x2 | 36x2          | 9,5        |
| GEO 500-2GMC 50-65B | 1,1x2     | 2,7x2 | 42x2          | 12,5       |
| GEO 500-2GMC 50-65A | 1,5x2     | 3,8x2 | 48x2          | 14,5       |
| GEO 500-2GMV 50-65C | 0,75x2    | 1,9x2 | 31x2          | 8          |
| GEO 500-2GMV 50-65B | 1,1x2     | 2,7x2 | 35x2          | 9,5        |
| GEO 500-2GMV 50-65A | 1,5x2     | 3,8x2 | 39x2          | 11,5       |



#### GMC, GMV

Submersible sewage and drainage pumps.

**GMC**, with single-channel impeller.

**GMV**, with free-flow (vortex) impeller.

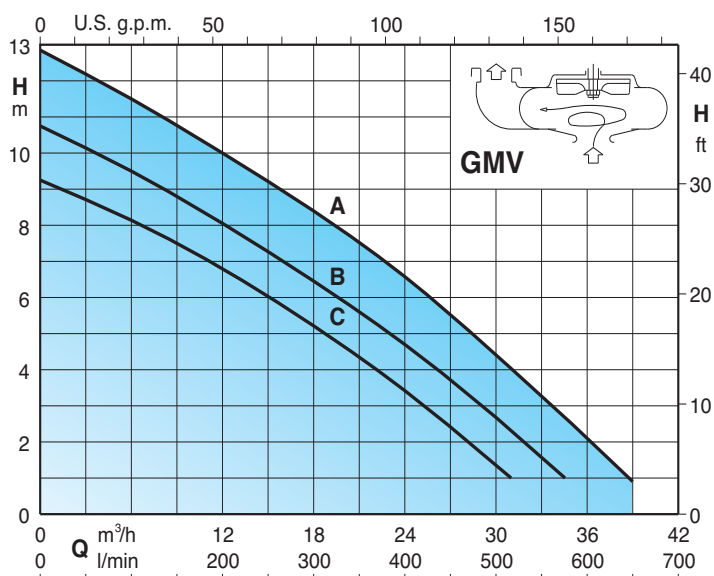
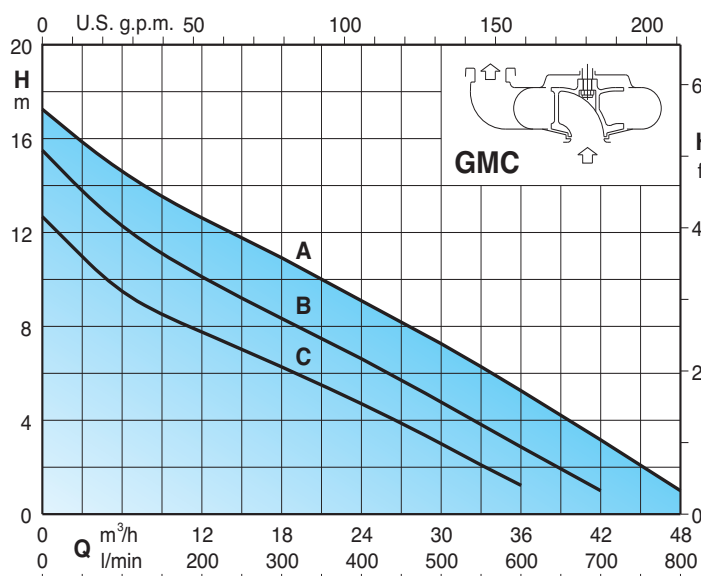
2-pole induction motor, 50Hz (n ≈ 2900 rpm)

**GMV, GMC:** three-phase 400 V +/-10%;  
with 2 built-in thermal protectors to be connected to the control panel.

**GMVM, GMVM:** single-phase 230 V ± 10%, built-in thermal protector and built-in capacitor.  
(without float switch)

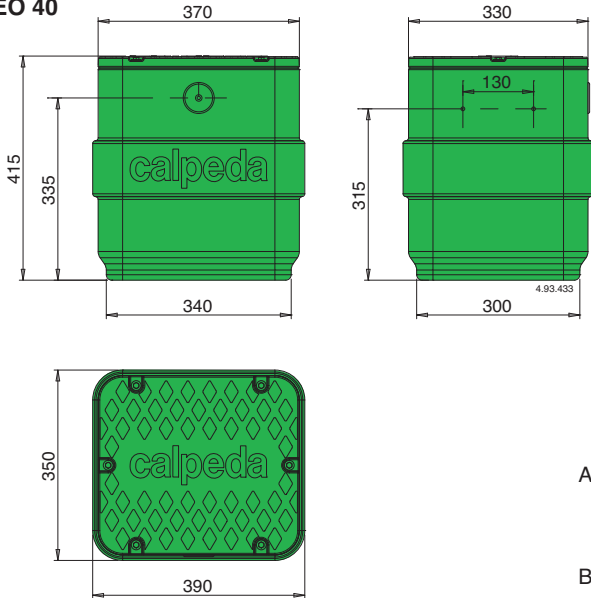
Cable length 10 m.

Liquid temperature up to 35 °C.

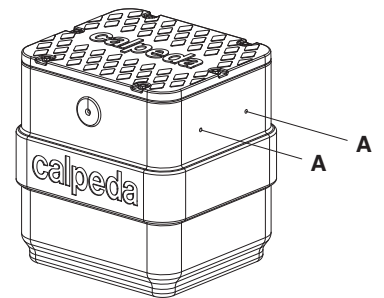
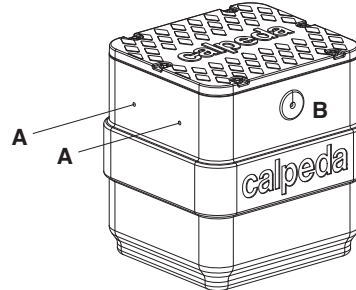


### Dimensions and weights

#### GEO 40

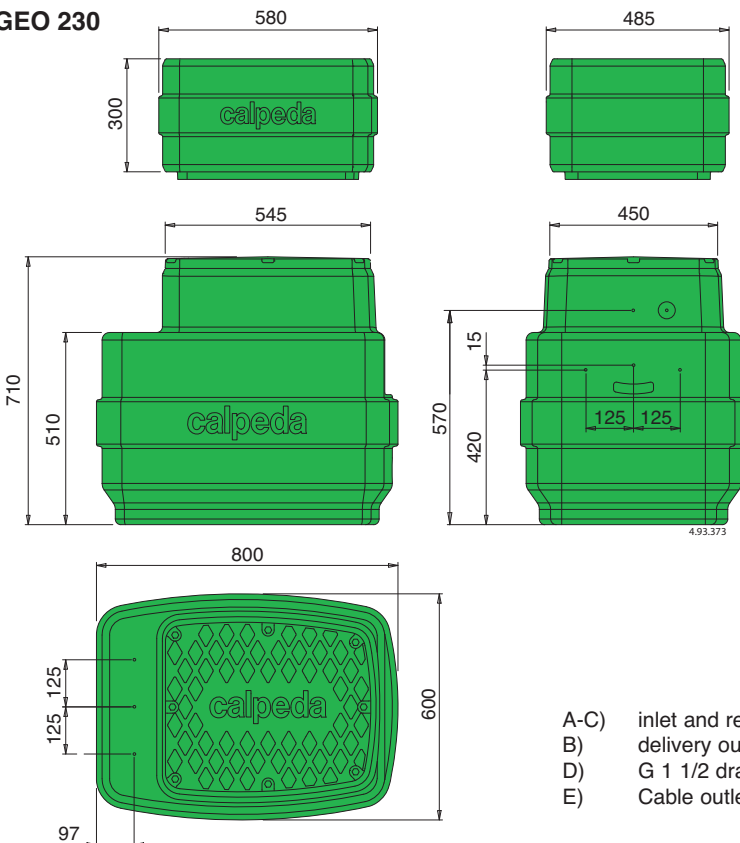


Tank  
kg.6



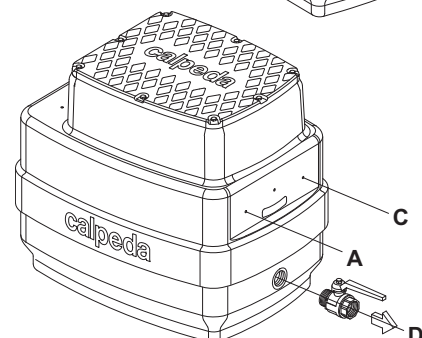
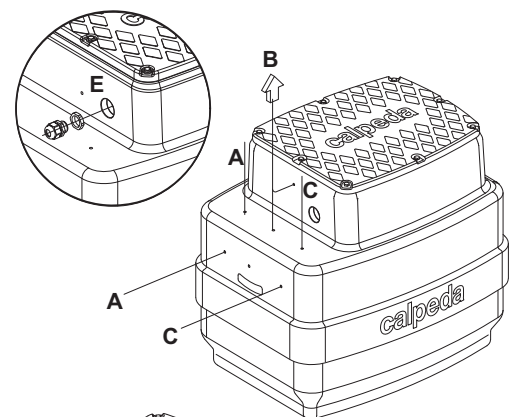
- A) Arrangement for :  
 Ø 40 mm inlet  
 Ø 40 mm outlet  
 Ø 25 mm relief
- B) Cable passage with Shuko plug

#### GEO 230



Extension  
kg.4,5

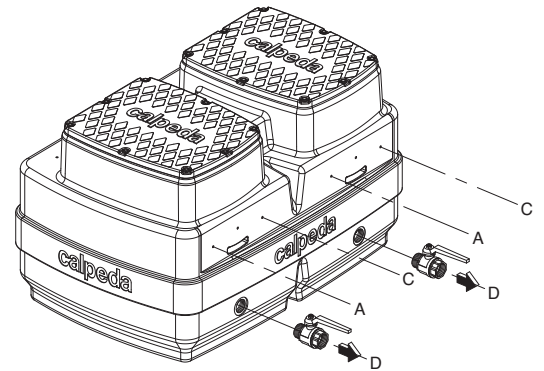
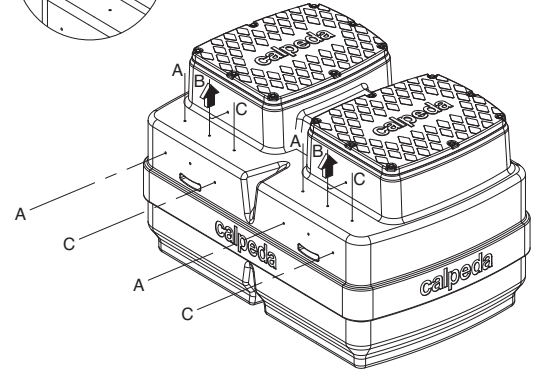
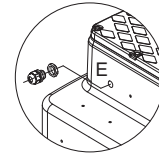
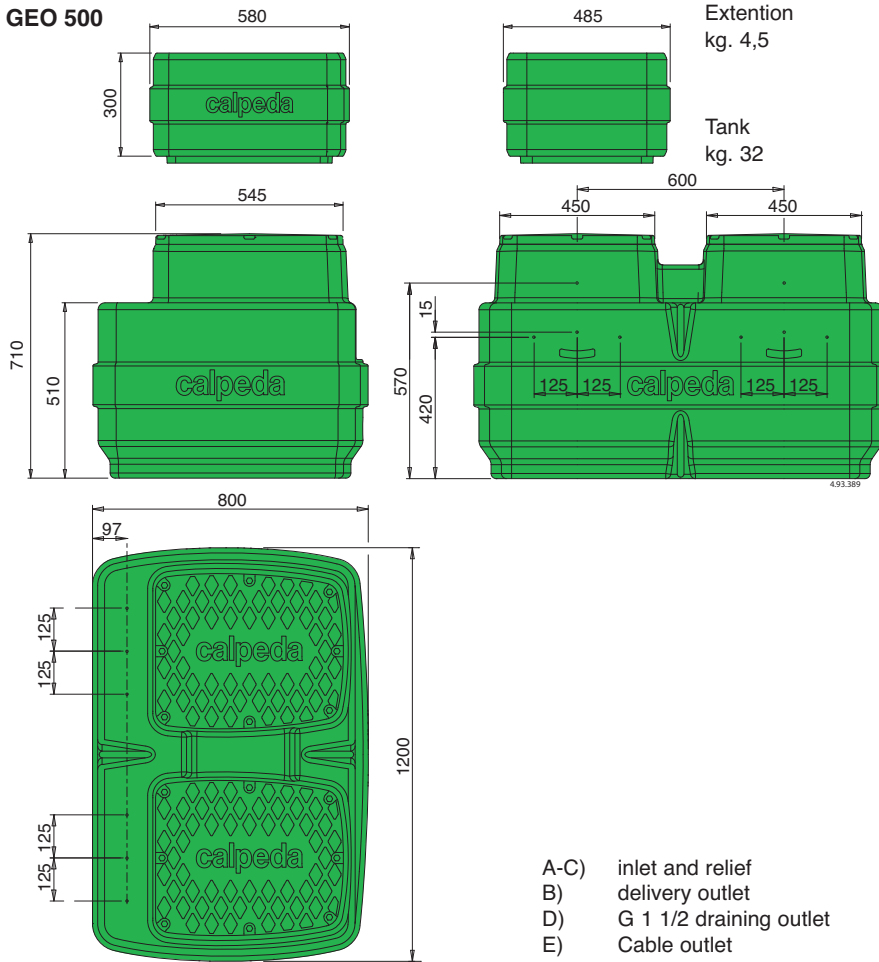
Tank  
kg.16



- A-C) inlet and relief
- B) delivery outlet
- D) G 1 1/2 draining outlet
- E) Cable outlet

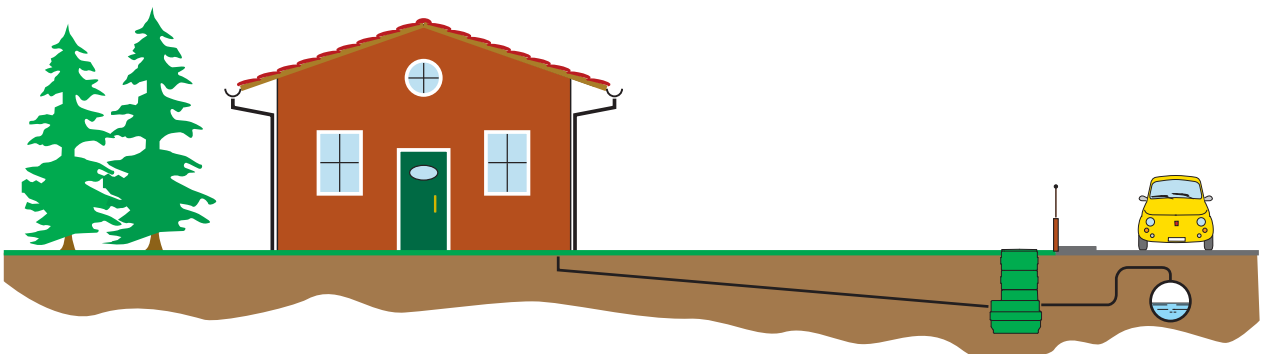
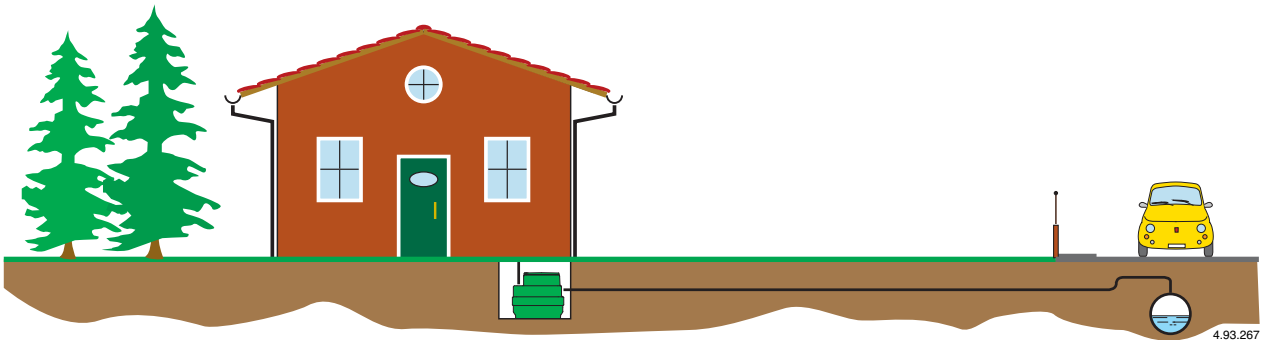
### Dimensions and weights

#### GEO 500



- A-C) inlet and relief
- B) delivery outlet
- D) G 1 1/2 draining outlet
- E) Cable outlet

### Installation examples





### LIFTING STATION SIZING

Normally the domestic waste water flows by gravity into the mains sewage collectors.

If there are underground rooms with discharge positions below the sewage main, a lifting station with one or more pumps may be required.

It is necessary to remember that the UNI-EN 12056-4 standard allows rainwater to be pumped to the sewage main only in exceptional cases.

To sizing a lifting station pump it is necessary to calculate the flow  $Q_{tot}$  and the Head  $h_{mt}$  necessary for the water drainage.

### FLOW CALCULATION

The flow of the lifting pumps can be calculated using Table 1, according to the number of people using the building and the location of the building. It is easy to calculate the flow  $Q_r$  of the sewage water.

The  $Q_r$  value is already adjusted by a coefficient that includes the peak hours, when the water consumption is higher.

The lifting systems of waste water are usually separated from the rainwater system. In case of a mixed system is required to sum the flow  $Q_m$  of the rainwater of the Table 2 with the flow  $Q_r$  of the Table 1.

The table indicates the rainwater flow  $Q_m$  as a function of the exposed surface to rainfall, it varies according to the capacity of the surface to absorb rain water (Table 3). The total flow of the pump or pumps is:

$$Q_{tot} = Q_r + Q_m$$

### HEAD CALCULATION

To calculate the head  $h_{mt}$  it is necessary to add the geodetic head existing between the fluid levels with the head losses from internal friction created by the flow of the fluid in the hydraulic pipes and fittings (Figure 1).

After the choice of the discharge pipe diameter, such that the flow speed it is not lower than 0,7 m/s (to avoid deposits) and higher than 2,3 m/s, it is possible to determine the distributed head loss  $H_d$  and concentrated head loss  $H_v$   $H_c$ , due to valves and curves (Table 4).

The sum of the head losses  $\Delta P_c$  is:

$$\Delta P_c = H_d + \Sigma H_v + \Sigma H_c$$

The total head  $h_{mt}$  is calculated as:

$$H_{mt} = H_g + \Delta P_c$$

1) Water arriving from sinks discharge, toilets, showers, washing machines etc.  
 2) Excluding consumption from industrial processes.  
 3) The unit flow reference is 1,5 l/min/m<sup>2</sup>

Table 1

Maximum flow of domestic waste water at peak demand

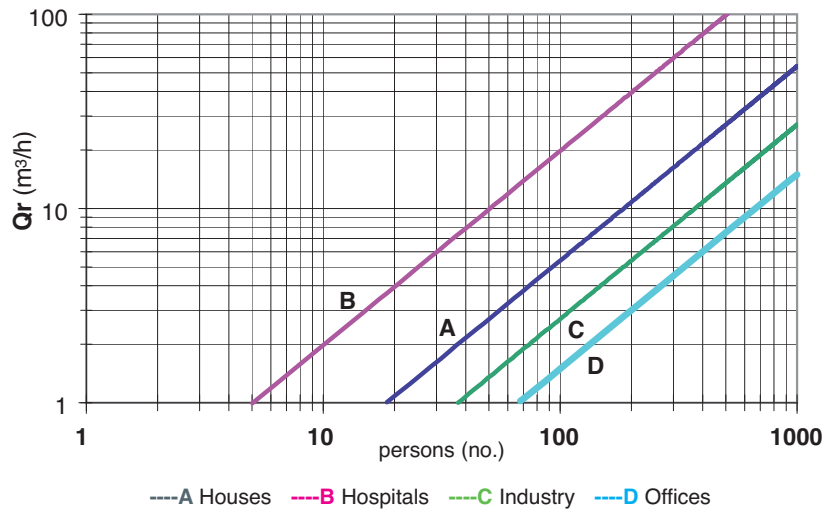


Table 2  
Rainwater Flow

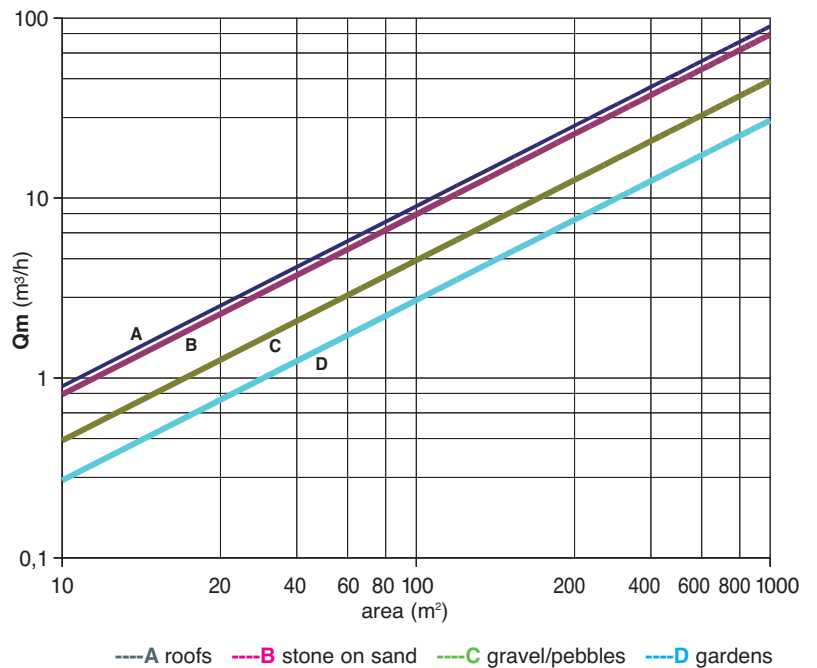


Figure 1

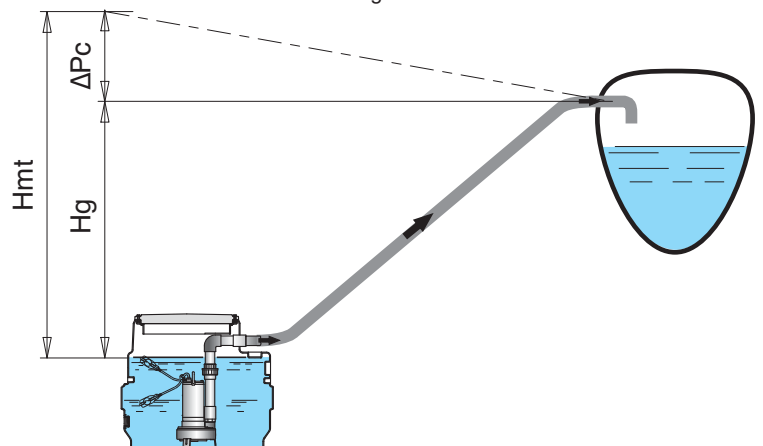


Table no. 3  
Head loss in m for PVC PN6 (m) pipes

| PVC pipe<br>PN6<br>Øe mm | Q m³/h  | 1,8  | 3,6  | 5,4  | 7,2  | 9    | 18   | 27   | 36   | 50,4 | 64,8 | 90   | 126  | 162  | 180  |
|--------------------------|---------|------|------|------|------|------|------|------|------|------|------|------|------|------|------|
|                          | Q l/min | 30   | 60   | 90   | 120  | 150  | 300  | 450  | 600  | 840  | 1080 | 1500 | 2100 | 2700 | 3000 |
| 50                       |         | 0,24 | 0,85 | 1,8  | 3,1  | 4,6  | 16,7 | 35,3 | -    | -    | -    | -    | -    | -    | -    |
|                          | HL      | 0,30 | 0,59 | 0,89 | 1,18 | 1,48 | 2,96 | 4,44 | -    | -    | -    | -    | -    | -    | -    |
| 63                       |         | 0,08 | 0,26 | 0,56 | 0,95 | 1,11 | 5,2  | 10,9 | 18,6 | 34,8 | -    | -    | -    | -    | -    |
|                          | v       | 0,18 | 0,37 | 0,55 | 0,73 | 0,92 | 1,83 | 2,75 | 3,66 | 5,13 | -    | -    | -    | -    | -    |
| 75                       |         | 0,11 | 0,24 | 0,4  | 0,61 | 2,2  | 4,6  | 7,9  | 14,7 | 23,4 | 43   | -    | -    | -    | -    |
|                          | m/100m  | 0,26 | 0,39 | 0,51 | 0,64 | 1,29 | 1,93 | 2,57 | 3,6  | 4,63 | 6,43 | -    | -    | -    | -    |
| 90                       |         | 0,05 | 0,1  | 0,16 | 0,25 | 0,9  | 1,9  | 3,3  | 6,1  | 9,7  | 17,8 | 33,2 | -    | -    | -    |
|                          | m/s     | 0,18 | 0,27 | 0,36 | 0,45 | 0,89 | 1,34 | 1,79 | 2,5  | 3,22 | 4,47 | 6,26 | -    | -    | -    |
| 110                      |         | 0,04 | 0,06 | 0,09 | 0,3  | 0,67 | 1,15 | 2,15 | 3,4  | 6,25 | 11,7 | 18,5 | 22,5 | -    | -    |
|                          |         | 0,17 | 0,2  | 0,29 | 0,58 | 0,87 | 1,16 | 1,63 | 2,10 | 2,91 | 4,08 | 5,24 | 5,82 | -    | -    |
| 125                      |         |      |      | 0,03 | 0,05 | 0,17 | 0,36 | 0,6  | 1,15 | 1,84 | 3,37 | 6,3  | 10   | 12,2 | -    |
|                          |         |      |      | 0,18 | 0,23 | 0,45 | 0,68 | 0,90 | 1,26 | 1,63 | 2,26 | 3,16 | 4,06 | 4,52 | -    |
| 140                      |         |      |      | 0,03 | 0,1  | 0,2  | 0,35 | 0,65 | 1,05 | 1,95 | 3,6  | 5,77 | 7    | -    | -    |
|                          |         |      |      | 0,18 | 0,36 | 0,54 | 0,72 | 1,01 | 1,30 | 1,80 | 2,52 | 3,24 | 3,60 | -    | -    |
| 160                      |         |      |      |      | 0,05 | 0,11 | 0,18 | 0,34 | 0,55 | 1,02 | 1,9  | 3    | 3,66 | -    | -    |
|                          |         |      |      |      | 0,28 | 0,41 | 0,55 | 0,77 | 0,99 | 1,38 | 1,93 | 2,48 | 2,76 | -    | -    |
| 180                      |         |      |      |      | 0,03 | 0,06 | 0,1  | 0,19 | 0,31 | 0,57 | 1,06 | 1,69 | 2,05 | -    | -    |
|                          |         |      |      |      | 0,22 | 0,33 | 0,43 | 0,61 | 0,78 | 1,09 | 1,52 | 1,96 | 2,17 | -    | -    |
| 200                      |         |      |      |      | 0,02 | 0,04 | 0,06 | 0,12 | 0,18 | 0,34 | 0,64 | 1    | 1,23 | -    | -    |
|                          |         |      |      |      | 0,18 | 0,26 | 0,35 | 0,49 | 0,63 | 0,88 | 1,23 | 1,59 | 1,76 | -    | -    |
| 225                      |         |      |      |      | 0,02 | 0,04 | 0,07 | 0,1  | 0,19 | 0,36 | 0,57 | 0,7  | -    | -    | -    |
|                          |         |      |      |      | 0,21 | 0,28 | 0,39 | 0,55 | 0,70 | 0,97 | 1,25 | 1,39 | -    | -    | -    |
| 250                      |         |      |      |      | 0,02 | 0,04 | 0,06 | 0,12 | 0,2  | 0,22 | 0,34 | 0,42 | -    | -    | -    |
|                          |         |      |      |      | 0,23 | 0,32 | 0,41 | 0,56 | 0,79 | 1,02 | 1,13 | -    | -    | -    | -    |
| 280                      |         |      |      |      | 0,01 | 0,02 | 0,04 | 0,07 | 0,13 | 0,2  | 0,24 | -    | -    | -    | -    |
|                          |         |      |      |      | 0,18 | 0,25 | 0,32 | 0,45 | 0,63 | 0,81 | 0,90 | -    | -    | -    | -    |

Table no. 4  
Head loss in cm for bends and gate valves

| Water flow velocity<br>m/sec. | α = 90 sweep elbow  |                     |                     |                   |                     | Gate valves |
|-------------------------------|---------------------|---------------------|---------------------|-------------------|---------------------|-------------|
|                               | $\frac{d}{R} = 0,4$ | $\frac{d}{R} = 0,6$ | $\frac{d}{R} = 0,8$ | $\frac{d}{R} = 1$ | $\frac{d}{R} = 1,5$ |             |
| 0,4                           | 0,11                | 0,13                | 0,16                | 0,23              | 0,43                | 0,23        |
| 0,5                           | 0,18                | 0,21                | 0,26                | 0,37              | 0,67                | 0,37        |
| 0,6                           | 0,25                | 0,29                | 0,36                | 0,52              | 0,97                | 0,52        |
| 0,7                           | 0,34                | 0,40                | 0,48                | 0,70              | 1,35                | 0,70        |
| 0,8                           | 0,45                | 0,53                | 0,64                | 0,93              | 1,7                 | 0,95        |
| 0,9                           | 0,57                | 0,67                | 0,82                | 1,18              | 2,2                 | 1,20        |
| 1,0                           | 0,7                 | 0,82                | 1,0                 | 1,45              | 2,7                 | 1,45        |
| 1,5                           | 1,6                 | 1,9                 | 2,3                 | 3,3               | 6                   | 3,3         |
| 2,0                           | 2,8                 | 3,3                 | 4,0                 | 5,8               | 11                  | 5,8         |
| 2,5                           | 4,4                 | 5,2                 | 6,3                 | 9,1               | 17                  | 9,1         |
| 3,0                           | 6,3                 | 7,4                 | 9                   | 13                | 25                  | 13          |
| 3,5                           | 8,5                 | 10                  | 12                  | 18                | 33                  | 18          |
| 4,0                           | 11                  | 13                  | 16                  | 23                | 42                  | 23          |
| 4,5                           | 14                  | 21                  | 26                  | 37                | 55                  | 37          |
| 5,0                           | 18                  | 29                  | 36                  | 52                | 67                  | 52          |

### EXAMPLE OF CALCULATION

Suppose it is required to size a lifting station, for a residential building where 80 people live. The pumps will have to lift waste water up to an additional tank located 5m higher, the linear distance between the 2 tanks is 70 m. In addition the station will receive rainwater from 400 m² of tarmac, roof surfaces and 120 m² of garden.

Considering: **Q tot = Qr + Qm**

It is possible to calculate the Qr from the Table1 which is 4 m³/h, while Qm is obtained from the Table 2 and is 36 m³/h ( roofs and tarmac) plus 2 m³/h from gardens, with this value Qtot is 42 m³/h. At this flow it will be necessary split the flow between two pumps.

We choose a delivery pipe diameter such that the flow rate with two pumps in operation does not exceed 2.3 m / sec and not be lower than 0.7 m / s with a single pump.

From (Table 3) we obtain:

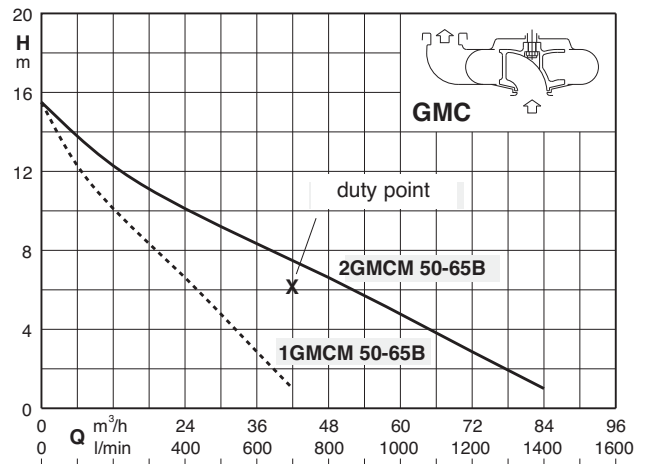
**42 m³/h => 1,4 m/s => TUBO DN 110 (with two pumps in parallel operation)**  
**21 m³/h => 0,7 m/s => TUBO DN 110 (with one operating pump)**

The distributed head loss in 70 m pipe with 720 l / min is 1.13 m (Table 3), then from the formula:

$$H_{mt} = H_g + \Delta p_c$$

It is obtained  $H_{mt} = 6,13$  mca

he suitable pumps are no. 2 GMCM 50-65B and then it result a station type **GEO 500-2GMCM 50-65B**.



### INSTALLATION EXAMPLE

