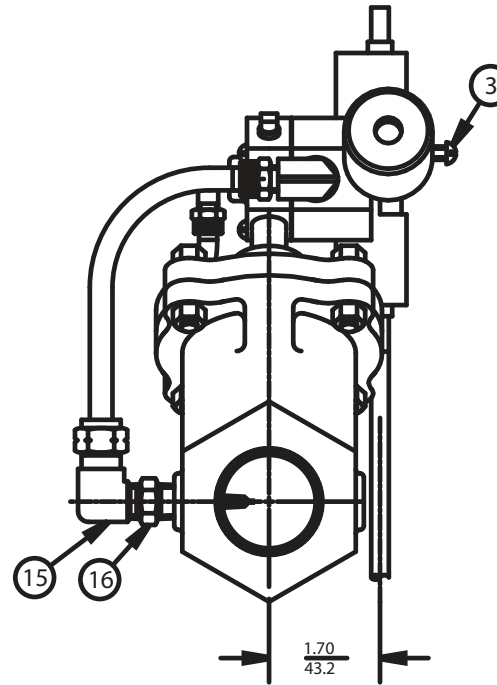


SERIES 421 WITH FLOAT



NO.	DESCRIPTION	PART NO.	QTY.	
PILOT CONTROL ASSEMBLY				
1	PILOT CONTROL ASSEMBLY	1073992 (348-AE)	1	
LEVEL CONTROL ASSEMBLY				
2	COUNTERWEIGHT	SEE DWG. NO. 1078194	1	
3	RD. HD. MACH. SCREW (8-32 X 1/2)	1072375 (SCS-0083)	1	
4	RD. HD. MACH. SCREW (6-32 X 3/8)	1072371 (SCS-0070)	4	
5	GUIDE BRACKET	1074012 (348-D)	1	
6	LEVER	1074034 (348-S)	1	
7	BUSHING	1074016 (348-G)	2	
8	FLOAT ROD ASS'Y. (SEE DWG. NO. 1078195 FOR PARTS LIST)	BRASS (36")	1074020 (348-K)	1
		BRASS (54")	1074026 (348-KK)	
		P.V.C. (36")	1074029 (348-KP)	
		STN. STL. (36")	1074030 (348-KS)	
		STN. STL. (54")	1074027 (348-KS)	
	BRASS(36"-BR WELL)	1074028 (348-KL)		
	BRASS(54"-BR WELL)	348-KKL		
9	ELBOW (1/8" M X 1/4" TUBE)	1081656 (510-CX)	1	
10	NYLON TUBING (1/4" O.D.)	1071936 (PTP-0005)		
11	ELBOW (1/4" M X 3/8" TUBE)	1074037 (348-U)	1	
12	NYLON TUBING (3/8" O.D.)	1071940 (PTP-0018)		
13	SPACER	1074127 (421-HB)	1	
14	HEX REDUCING NIPPLE (1/4"MX 1/8"M)	1074038 (348-X)	1	
15	ELBOW (1/4" F X 3/8" TUBE)	1074007 (348-BH)	1	
16	STRAINER ASSEMBLY	1074004 (348-BD)	1	
POWERED CLOSED ONLY				
17	SQ. HD. PIPE PLUG 1/8" BRASS	1071903 (PLB-0007)	1	
POWERED OPEN OPTION				
18	ELBOW (1/8" M X 1/4" TUBE)	1081656 (510-CX)	2	

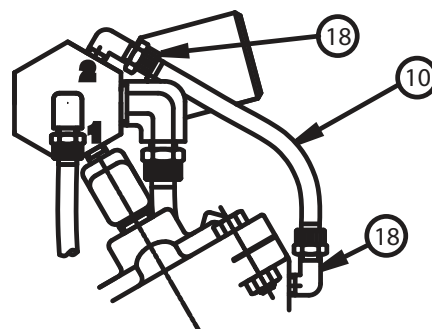
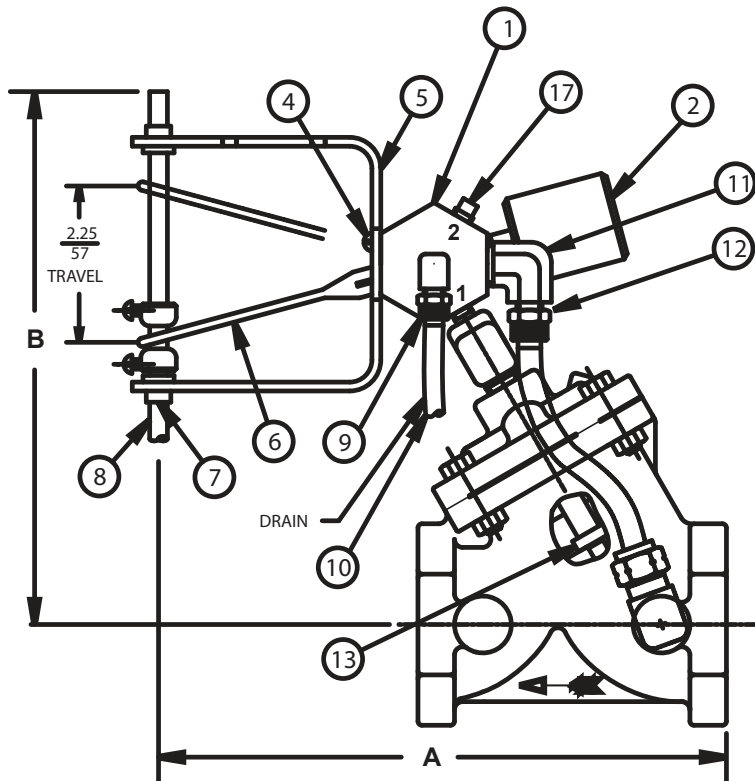
FORM NO. 1078190

C	ITEM #2 WAS "SEE DWG. NO. 1978195	NONE	MSM	02/MAR/09	
REV	DESCRIPTION	ECO	DWN	DATE	APVD
		20580 Enterprise Avenue Brookfield, WI 53045 888.784.9065 www.Pentairwatertreatment.com			
SERIES 421 DIAPHRAGM VALVE					
FLOAT OPERATED VALVE					
SCALE	DRAWN	DATE	DWG. NO.		
N/A	JWB	17JUL01	1078191		

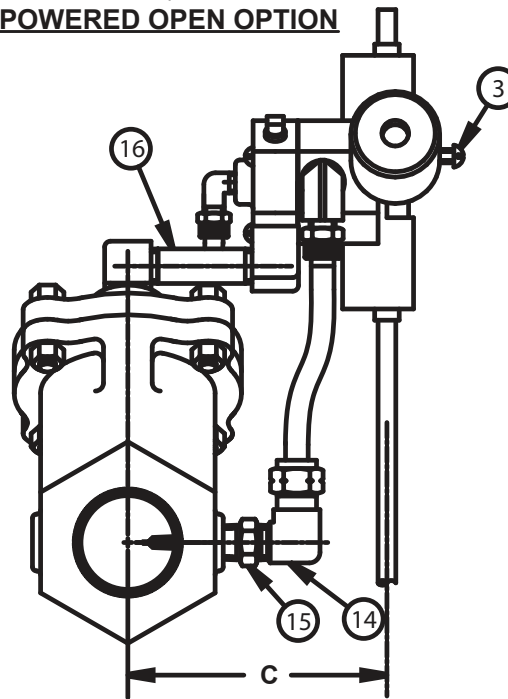
1/4" NPT BOTH ENDS
130 MICRON OPENINGS



STRAINER ASSEMBLY



POWERED OPEN OPTION



SERIES 424 THRU 428 WITH FLOAT

IN.
MM

VALVE SERIES	424	425	426	427	428
PIPE SIZE	1-1/4", 1-1/2"	2"	2"	3"	4"
A	8.29 210.6	9.29 236.0	9.87 250.0	10.80 274.3	12.80 325.1
B	7.81 198.4	8.37 212.6	9.56 242.8	10.56 268.2	13.81 350.8
C	4.20 106.7	5.20 132.1	5.20 132.1	6.20 157.5	6.20 157.5

NO.	DESCRIPTION	PART NO.	QTY.		
PILOT CONTROL ASSEMBLY					
1	PILOT CONTROL ASSEMBLY	1073992 (348-AE)	1		
LEVEL CONTROL ASSEMBLY					
2	COUNTERWEIGHT	SEE DWG NO. 1078194	1		
3	RD. HD. MACH. SCREW (8-32 X 1/2)	1072375 (SCS-0083)	1		
4	RD. HD. MACH. SCREW (6-32 X 3/8)	1072371 (SCS-0070)	4		
5	GUIDE BRACKET	1074012 (348-D)	1		
6	LEVER	1074034 (348-S)	1		
7	BUSHING	1074016 (348-G)	2		
8	FLOAT ROD ASSY. (SEE DWG NO. 1078195 FOR PARTS LIST)	BRASS (36")	1074020 (348-K)	1	
		BRASS (54")	1074026 (348-KK)		
		P.V.C. (36")	1074029 (348-KP)		
		STN. STL. (36")	1074030 (348-KS)		
		STN. STL. (54")	1074027 (348-KKS)		
		BRASS(36"-BR WELL)	1074028 (348-KL)		
	BRASS(54"-BR WELL)	348-KKL			
9	ELBOW (1/8" M X 1/4" TUBE)	1081656 (510-CX)	1		
10	NYLON TUBING (1/4" O.D.)	1071936 (PTP-0005)			
11	ELBOW (1/4" M X 3/8" TUBE)	1074037 (348-U)	1		
12	NYLON TUBING (3/8" O.D.)	1071940 (PTP-0018)			
13	SPACER	424	1074230 (424-HB)	1	
		425	1074305 (425-HB)		
		426	1074385 (426-HB)		
		427	1074484 (427-HB)		
		428	1074567 (428-HB)		
14	ELBOW (1/4" F X 3/8" TUBE)	1074007 (348-BH)	1		
15	STRAINER ASSEMBLY	1074004 (348-BD)	1		
16	NIPPLE	1/4" M X 2"	424	1071905 (PLB-0028)	1
		1/4" M X 3"	425, 426	1071906 (PLB-0029)	
		1/4" M X 4"	427, 428	1071907 (PLB-0030)	
POWERED CLOSED ONLY					
17	SQ. HD. PIPE PLUG 1/8" BRASS	1071903 (PLB-0007)	1		
POWERED OPEN OPTION					
18	ELBOW (1/8" M X 1/4" TUBE)	1081656 (510-CX)	2		

FORM NO. 1078190

C	ITEM #2 WAS "SEE DWG. NO. 1978195"	NONE	MSM	02MAR09
REV	DESCRIPTION	ECO	DWN	DATE APVD
		20580 Enterprise Avenue Brookfield, WI 53045 888.784.9065 www.Pentairwatertreatment.com		
SERIES 424 thru 428 DIAPHRAGM VALVES				
FLOAT OPERATED VALVE				
SCALE	DRAWN	DATE	DWG. NO.	
N/A	JWB	17JUL01	1078191	