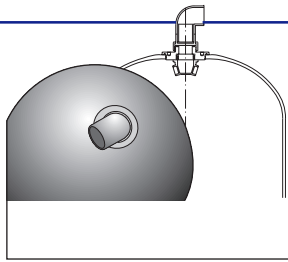


IRRIGATION FILTERS



STRUCTURAL

TECHNICAL DATA & DRAWINGS



IRRIGATION FILTERS

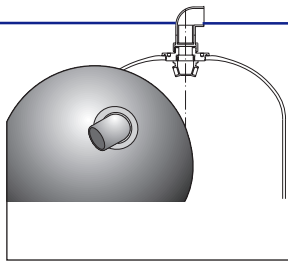
STRUCTURAL

TECHNICAL DATA



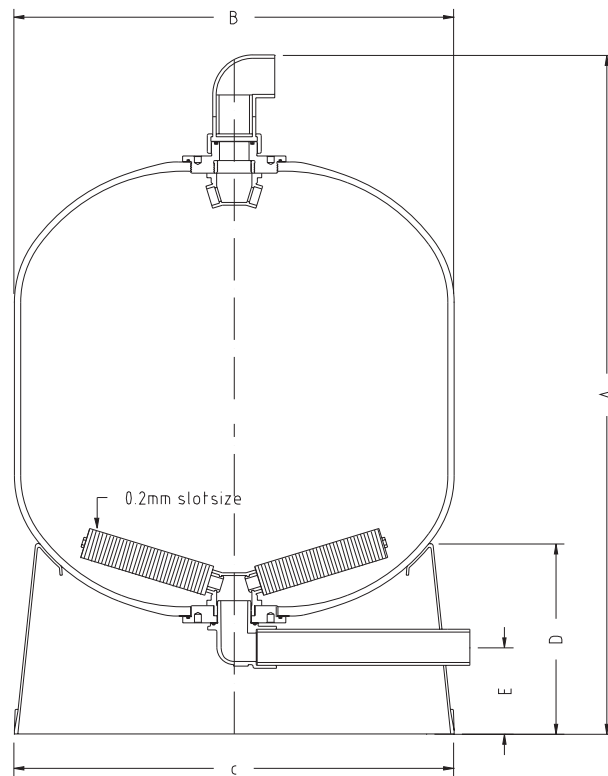
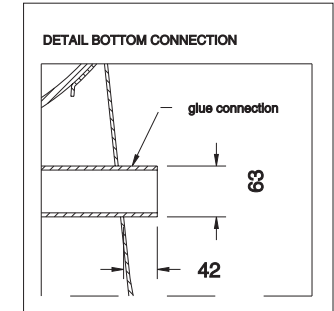
This pressure vessel is intended for use in water treatment installations.
Not suitable for pneumatic applications.

THREADED OPENING:	6" (150 mm)
OPERATING PRESSURE:	MIN 0 BAR - MAX 10 BAR
OPERATING TEMPERATURE:	MIN 1°C - MAX 50°C
MINIMUM FATIGUE TESTING:	250.000 CYCLES BETWEEN 0 - 10 BAR
STANDARD COLOUR:	NATURAL VESSEL, BLACK BASE
OTHER POSSIBLE COLOURS:	RAL-COLOUR STANDARDS
DISTRIBUTION SYSTEMS:	INCLUDED



IRRIGATION FILTERS

IRRIGATION FILTER SYSTEMS



External diameter
Volume vessel
Volume dome
Total height vessel
Height side connection
Maximum flow
Outside diameter base
Height base
Maximum base load
Weight empty vessel

TYPE	B (mm)	(l)	(l)	A (mm)	E (mm)	(m ³ /h)	C (mm)	D (mm)	(kg)	(kg)
F-24T6-DTN	Ø622	160,2	37,0	1130	195	14	Ø540	310	990	19,7
F-30T6-DTN	Ø765	283,2	73,5	1184	150	22	Ø768	334	1590	35,8
F-36T6-DTN	Ø917	455,7	119,9	1337	193	32	Ø768	334	2245	41,8

All with base and single packaging

OPERATING PRESSURE : MIN 0 BAR - MAX 10 BAR

OPERATING TEMPERATURE : MIN 1°C - MAX 50°C