

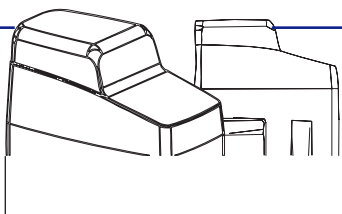
## EURO-CABINETS

HIGH PROFILE

LOW PROFILE

# STRUCTURAL

TECHNICAL DATA & DRAWINGS

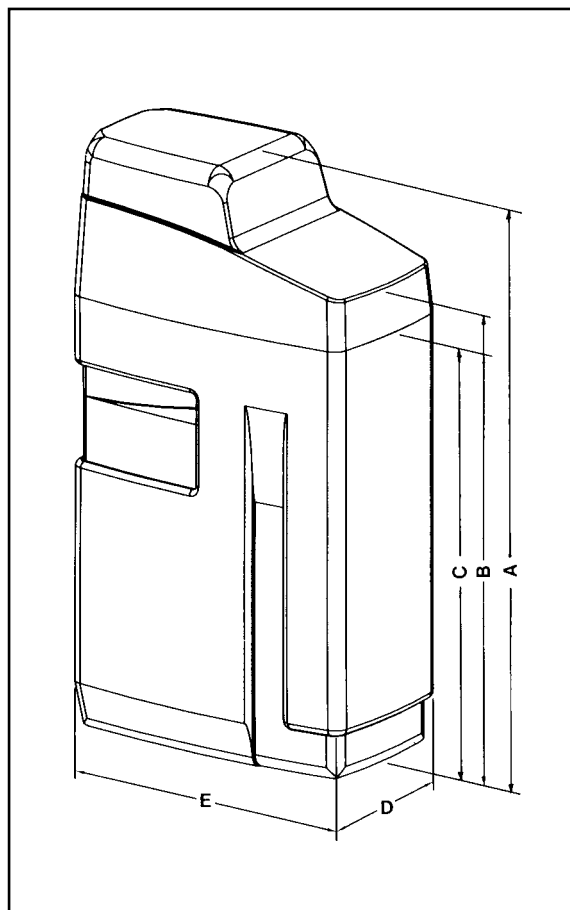


**EURO-CABINETS**

**TECHNICAL INFORMATION**

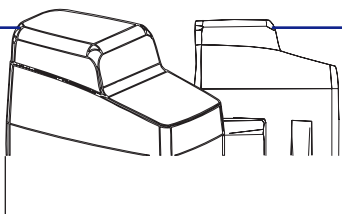
The Euro-cabinet range from Structural Europe consists of a blowmoulded body and two injection-moulded covers. The covers are designed to take the most common valves. Three versions are available, designed for use with our pressure vessels of height 18", 30" and 35", without base.

The Euro-cabinet's unique design provides you and your customer with the opportunity to present a modern product. The hand-grips make the cabinet very easy to handle, and the vertical grooves lend a distinctive appearance compared to most similar products and ensure that the Euro-cabinet retains its appearance over the years. Adding salt is a very simple operation, thanks to the salt lid (with hand-grip) with a sufficiently wide opening. The Euro-cabinet has a white body and a pigeon-blue cover.



CABINET	A (mm)	B (mm)	C (mm)	D (mm)	E (mm)	(kg)	
18"	673	549	408	316	559	5,2	for use with Q-0818 Pressure Vessel.
30"	1006	882	740	316	559	6,2	for use with Q-0730 Pressure Vessel.
35"	1127	1003	863	316	559	7,2	for use with Q-0735, Q-0835, Q-0935, Q-1035 Vessels.

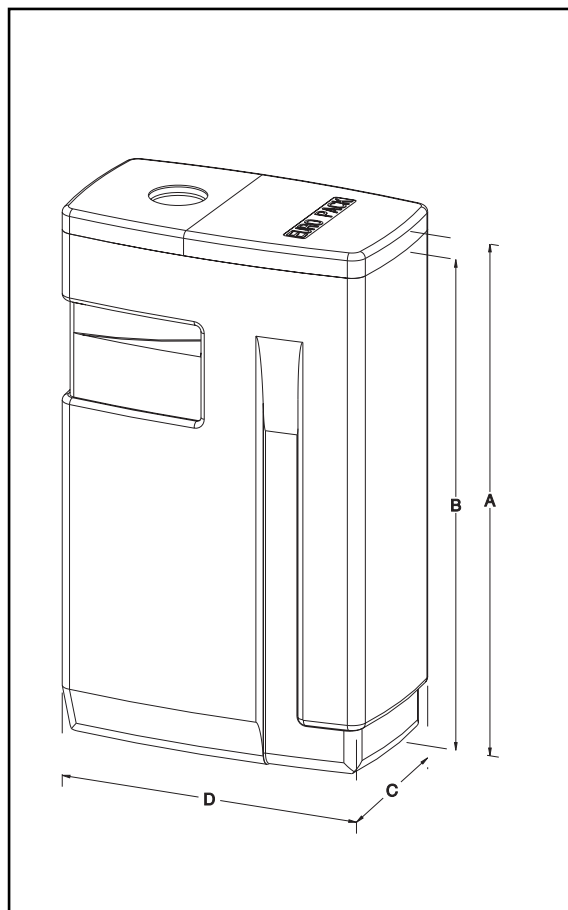




**EURO-CABINETS**

**TECHNICAL INFORMATION**

The Euro Cabinet also exists in a low profile version. This cabinet consists of a blow moulded body and a vacuum-formed low profile cover. The low profile cabinet is designed with a safety lock system to ensure a fixed positioning on the body. Adding salt is a simple operation due to a large salt opening. The low profile Euro Cabinet has a white body with a black cover.



CABINET	A (mm)	B (mm)	C (mm)	D (mm)	(kg)	
18"	448	408	316	559	5,2	for use with Q-0818 Pressure Vessel.
30"	800	740	316	559	6,2	for use with Q-0730 Pressure Vessel.
35"	903	863	316	559	7,2	for use with Q-0735, Q-0835, Q-0935, Q-1035 Vessels.

