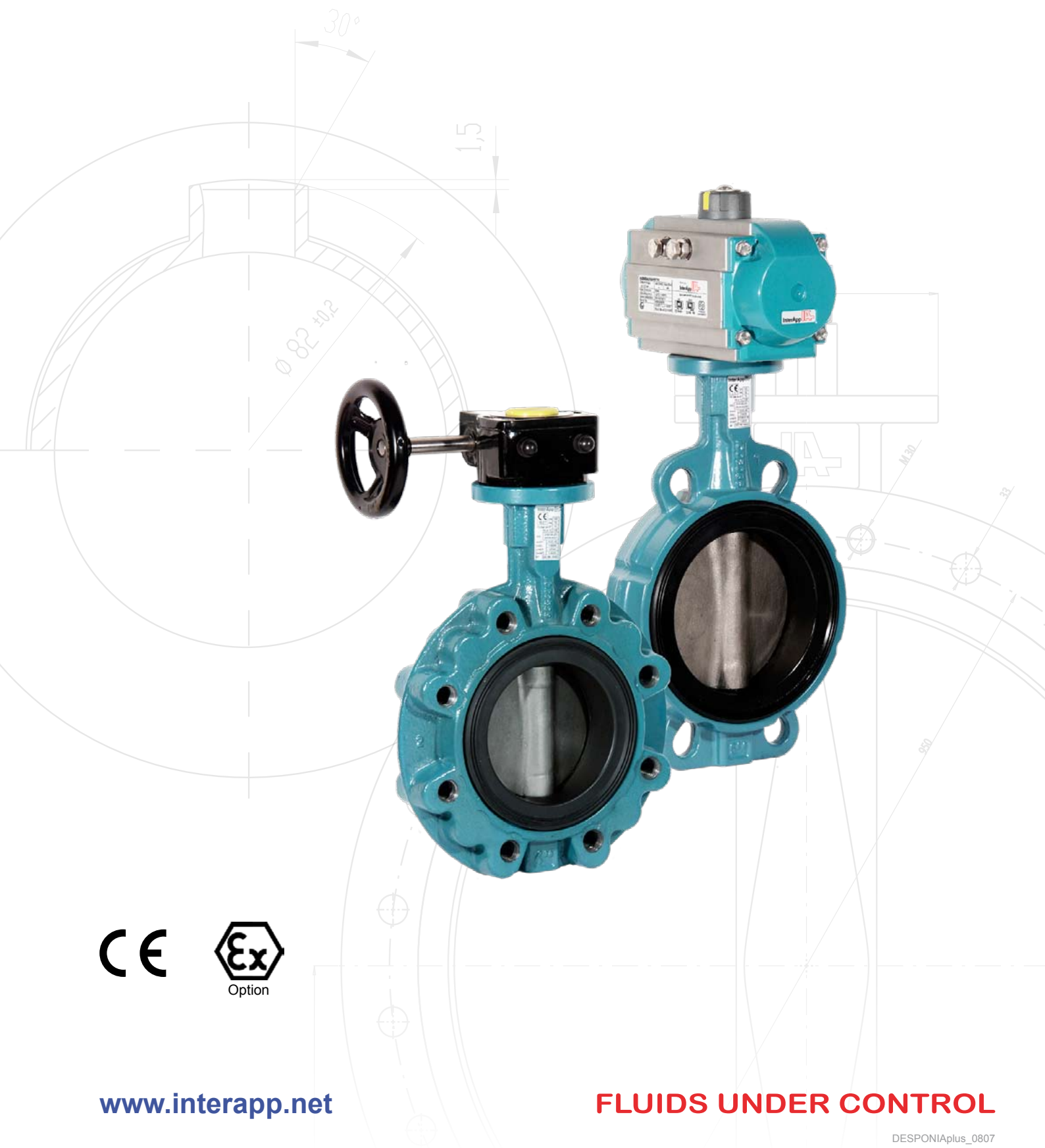


GEMU®

InterApp IA®

DESPONIA *plus*
Butterfly valve DN25-600

Large choice of materials
for most of the industrial applications



CE

Ex
Option

www.interapp.net

FLUIDS UNDER CONTROL

DESPONIAplus_0807

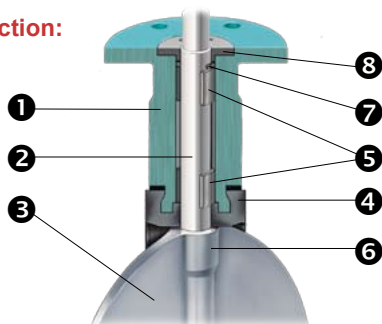
DESPONIA plus

Butterfly valve DN25-600

● Characteristics:

DESPONIA plus	Centric butterfly valve with elastomer liner	
Application fields	For liquids and gases in the industrial range, general services, water treatment, ...	
Body construction	DP1 Wafer DN 25-600	DP3 LUG DN 50-400
Face to face dimension	according to ISO 5752/20, EN 558-1/20	
Top flange	according to EN ISO 5211	
Max. working pressure	16/20 bar	
Rating	PN6, PN10, PN16, PN25, ANSI cl. 150	
Temperature range	Standard -10°C ÷ 95°C with EPDM liner, max. -20°C ÷ 200°C according to material, other temperatures on request	
Tightness test	according to EN 12266-1/P12 leakage rate A, test fluid water	
CE	The butterfly valves DESPONIA plus meet the safety requirements of the pressure Equipments Directive 97/23/EC (PED) appendix 1 for fluids of the groups 1 and 2.	
Ex ATEX	Special versions of the DESPONIA plus valves may be used in explosive atmospheres. See brochure DESPONIA plus ATEX.	

● Construction:



1	Body (extended valve neck allowing insulation)
2	Blow out proof shaft with position indication
3	Disc
4	Exchangeable liner with sealing grooves on the tightening face
5	Self-lubricating shaft bushing
6	Square driven disc
7	External shaft sealing
8	Retaining washer (blow out protection)

● Code key:

DP1 **100** . **33** - **2AE** . **4A** . **4C0** . **EW**

1
2
3
4
5
6
7
8

1 Body type	DP1	Wafer	DN25-600
	DP3	LUG body	DN50-400
2 Nominal diameter	025 - 600 mm		
3 Working pressure	1	6 bar	4 20 bar (only for DP1 with body 3HE or 4C0)
	2	10 bar	
	3	16 bar	
	4	20 bar (only for DP1 with body 3HE or 4C0)	
4 Rating	1	PN6	5 PN25 on request
	2	PN10	
	3	PN16	
	A	ANSI cl.150	
	5	PN25 on request	
5 Body	2AE	Ductile iron GGG40, Epoxy coated 70µ	DP1+DP3, DN25-400
	3HE	Cast steel GS-C25, 1.0619, Epoxy coated 70µ	DP1 DN50-600, DP3 DN50-250
	4C0	Stainless steel 1.4408, AISI316	DP1 DN50-600, DP3 DN50-250
	4D0	Uranus B6, 1.4539	DP1 DN50-600, DP3 DN50-250
6 Shaft	4A	Stainless steel 1.4028, AISI420	
	4B	Stainless steel 1.4401, AISI316	
	4S	Stainless steel 1.4057 (for 20 bar execution)	
7 Disc	2AR	Ductile iron GGG40, Rilsan coated 250µ (max.90°C)	DN25-400
	2AE	Ductile iron GGG40, Epoxy coated 70µ	DN25-400
	3HE	Cast steel GS-C25, 1.0619, Epoxy coated 70µ	DN250-600
	4C0	Stainless steel 1.4408, AISI316	DN25-600
	4D0	Uranus B6, 1.4539	DN40-400
	5C0	Alubronze G-Cu Al 10 Fe	DN25-600
	7H0	Hastelloy C, 2.4686	DN40-400
8 Liner	E	EPDM (max.95°C)	Other materials and white liners on request
	EA	EPDM ACS FDA (max.120°C)	
	N	Nitrile NBR	
	S	Silicone	
	NC	Nitrile carboxylit	
	H	Hypalon	
	SV	Silicone for steam	
	V	Viton®	

When mounting the valve at the end of a line please note:

- Body type **DP3**
- Medium only for liquids, 10 ÷ 30°C
- Max. working pressure DN25-200 10 bar
- DN250-600 6 bar

- no water hammer !!!

please consult our document "Flanges"

FLUIDS UNDER CONTROL

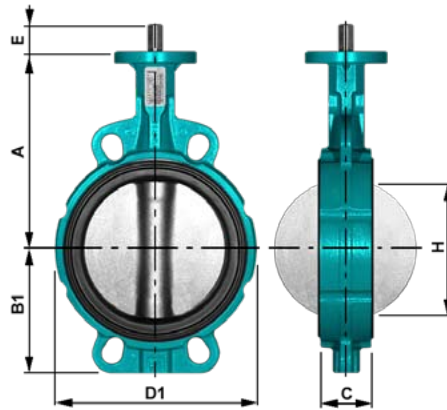
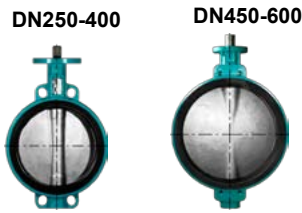
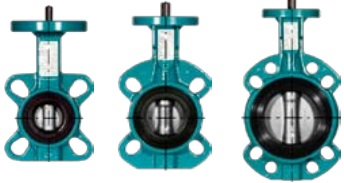
DESPONIA plus

Butterfly valve DN25-600

● DP1 Wafer, DN 25-600

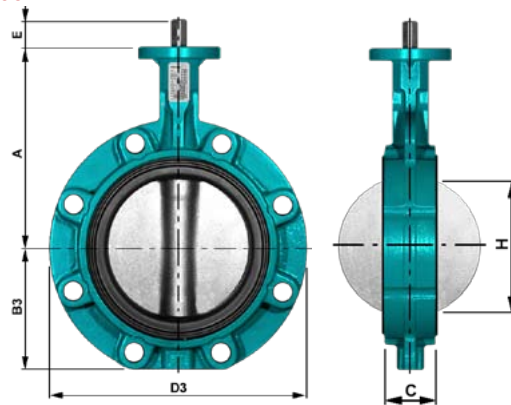
DN25/32 DN40/50/65 DN80/100

DN125/150/200



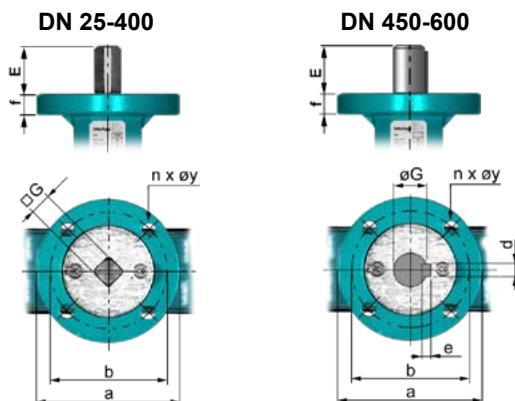
DN	A	B1	C	D1	E	H*	[kg]
25/32	110	50	30	72	19	17,0	1,4
40	130	60	33	86	19	27,0	2,0
50	135	72	43	101	19	30,0	3,0
65	150	82	46	121	19	49,0	3,6
80	160	92	46	138	19	68,5	4,0
100	180	102	52	160	19	88,5	5,5
125	195	120	56	189	19	114,5	7,5
150	210	133	56	214	19	142,0	8,6
200	240	163	60	272	25	193,5	12,7
250	280	196	68	324	32	243,5	22,2
300	315	232	78	378	32	292,5	30,8
350	330	257	78	425	40	329,5	41,5
400	365	292	102	475	40	375,5	57,2
450	400	359	114	538	65	426	95,0
500	440	397	127	595	65	477	125
600	525	467	154	695	80	572	180

● DP3 LUG body, DN 50-400



DN	A	B3	C	D3	E	H*	[kg]
50	135	72	43	117	19	30,0	3,2
65	150	82	46	130	19	49,0	4,0
80	160	88	46	188	19	68,5	6,1
100	180	102	52	219	19	88,5	8,5
125	195	116	56	248	19	114,5	10,0
150	210	128	56	274	19	142,0	11,0
200	240	161	60	332	25	193,5	19,6
250	280	199	68	402	32	243,5	28,7
300	315	234	78	472	32	292,5	41,2
350	330	258	78	520	40	329,5	55,0
400	365	290	102	584	40	375,5	75,0

● Top flange according to EN ISO 5211



DN	E	G	d	e	f	ISO	a	b	n x øy
25/32	19	□ 8	-	-	12	F07	90	70	4 x 9
40	19	□ 8	-	-	12	F07	90	70	4 x 9
50	19	□ 11	-	-	12	F07	90	70	4 x 9
65	19	□ 11	-	-	12	F07	90	70	4 x 9
80	19	□ 11	-	-	12	F07	90	70	4 x 9
100	19	□ 11	-	-	12	F07	90	70	4 x 9
125	19	□ 14	-	-	12	F07	90	70	4 x 9
150	19	□ 14	-	-	12	F07	90	70	4 x 9
200	25	□ 17	-	-	12	F07	90	70	4 x 9
250	32	□ 22	-	-	18	F10/F12	155	102/125	4 x 10 / 4 x 13
300	32	□ 22	-	-	18	F10/F12	155	102/125	4 x 10 / 4 x 13
350	40	□ 22	-	-	18	F12	155	125	4 x 13
400	40	□ 27	-	-	18	F12	155	125	4 x 13
450	65	ø 45	14	9	25	F14	175	140	4 x 18
500	65	ø 45	14	9	25	F14	175	140	4 x 18
600	80	ø 70	20	12	25	F16	220	165	4 x 22

● Further documentation:

Pneumatic actuators, Electric actuators, Accessories according separate data sheets.

● Important guides:

Installation guide, Maintenance guide, Flanges

Please consult these guides for the installation and maintenance of our butterfly valves.



Switzerland

InterApp AG
Grundstrasse 24
CH-6343 Rotkreuz

Tel. +41 (0)41 798 22 33
Fax +41 (0)41 798 22 34
info@ch.interapp.net



Austria

InterApp Ges.m.b.H.
Kolpingstraße 19
A-1230 Wien

Tel. +43 (0)1 616 23 71 0
Fax +43 (0)1 616 23 71 99
info@at.interapp.net



Italy

InterApp Italiana S.r.l.
Via A. Gramsci 29
I-20016 Pero (Milano)

Tel. +39 02 33 93 71
Fax +39 02 33 93 7200
info@it.interapp.net



Spain

InterApp Válvulas S.A.
Igarsa 40
E-28860 Paracuellos de Jarama

Tel. +34 (0)91 6584360
Fax +34 (0)91 6581430
info@es.interapp.net



Hungary

InterApp Kft
Bécsi út 100
H-1034 Budapest

Tel. +36 (1) 436 9702
Fax +36 (1) 436 9700
info@hu.interapp.net



Germany

GEMÜ Gebr. Müller
Fritz-Müller-Strasse 6-8
74653 Ingelfingen-Criesbach

Tel. ++49-7940-12 30
Fax ++49-7940-12 31 92 (Domestic)
Fax ++49-7940-12 32 24 (Export)
e-mail: info@gemue.de

www.gemue.de

The technical data are noncommittal and do not assure you of any properties. Please refer to our general sales conditions.

Modifications without notice

Copyright © by InterApp